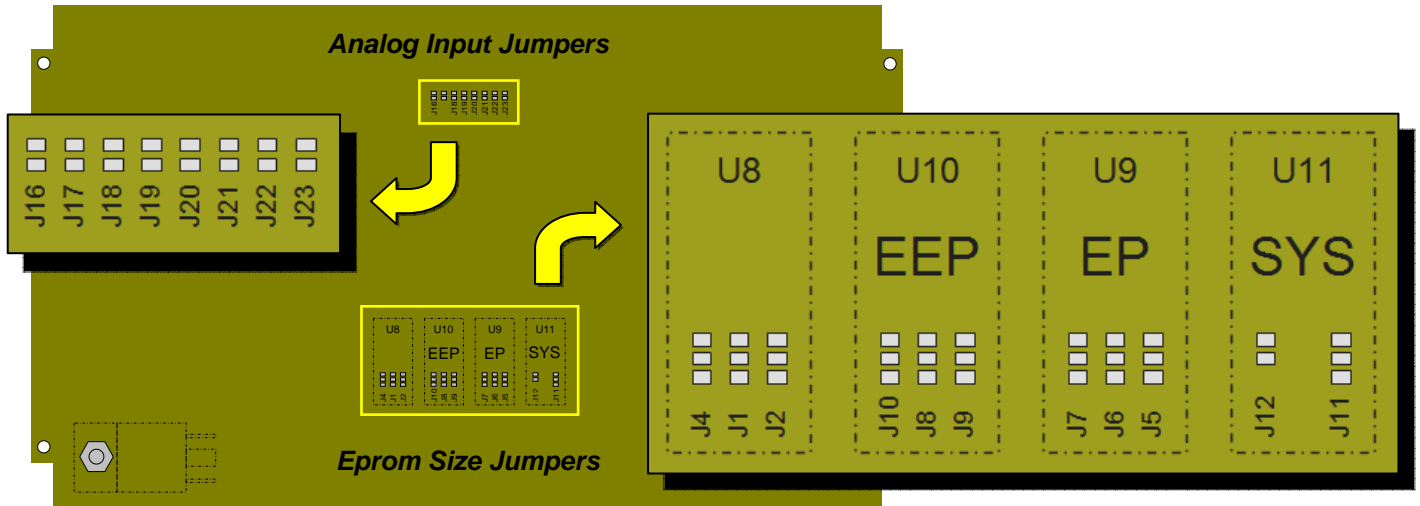


Use the information below to properly set the soldered jumpers on the bottom of the MK4E2 mainboard.

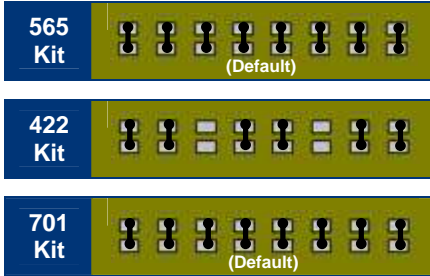


- Bottom view of the MK4E2 mainboard.

## Analog Input Jumpers

- These jumpers determine whether an analog sensor input is either current or voltage.

= Current      = Voltage



Input #	Term #	Pressure - Pls.	Pressure - Rod	Length	Angle
1	51	2	52	3	53
2	54	4	55	5	56
3	57	6	58	7	59
4	60	8	61	9	62
5	63	10	64	11	65
6	66	12	67	13	68
7	69	14	70	15	71
8	72	16	73	17	74

## Eprom Size Jumpers

- These jumpers determine the size of the eproms being used in each socket.

