

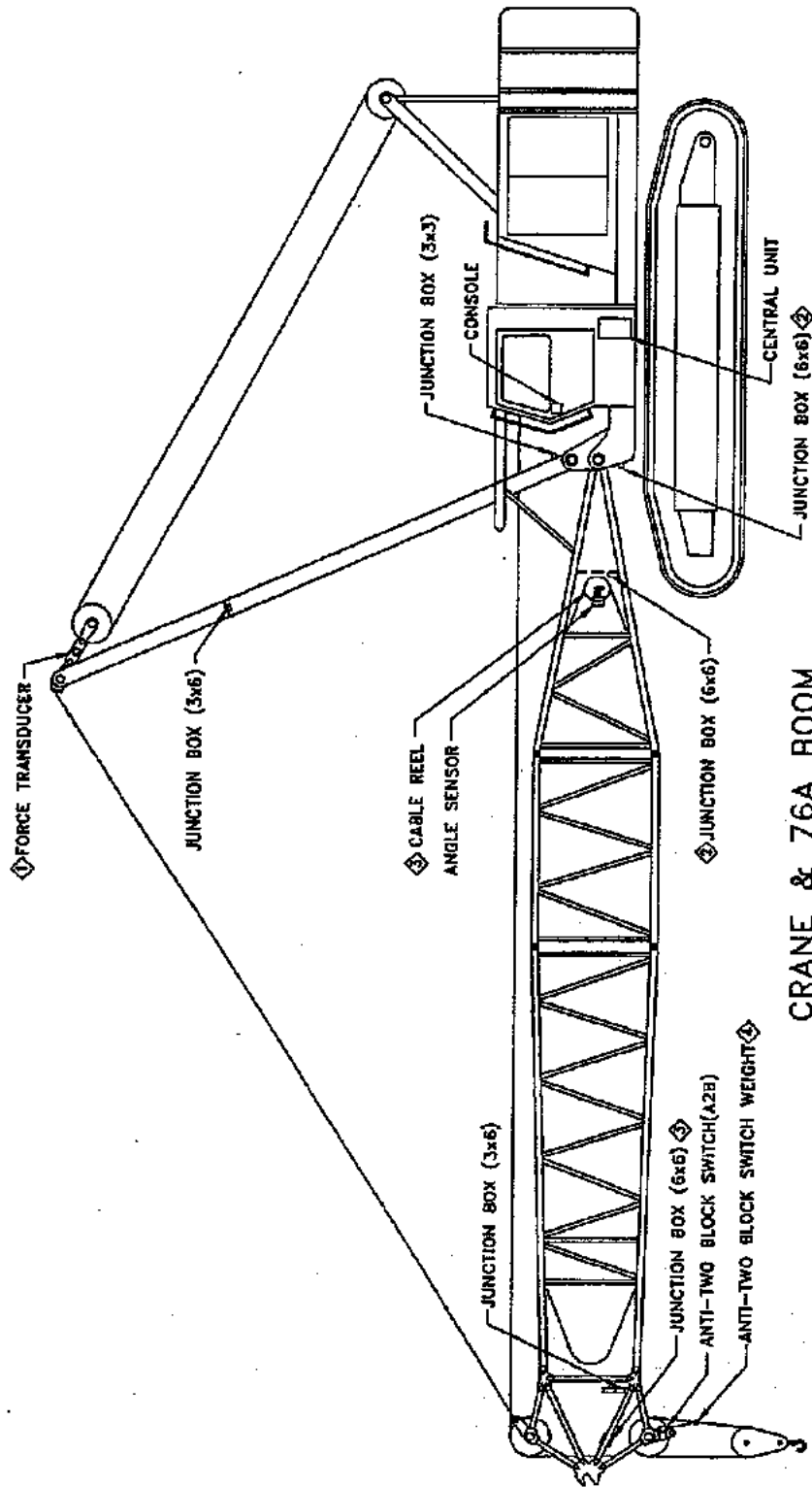


GROVE[®]
CRANE

A GROVE WORLDWIDE COMPANY

**PARTS AND
INSTALLATION
MANUAL**

**HL150T&C
76A BOOM OPTION
LMI SYSTEM**



CRANE & 76A BOOM

INSTALLATION OF LMI COMPONENTS

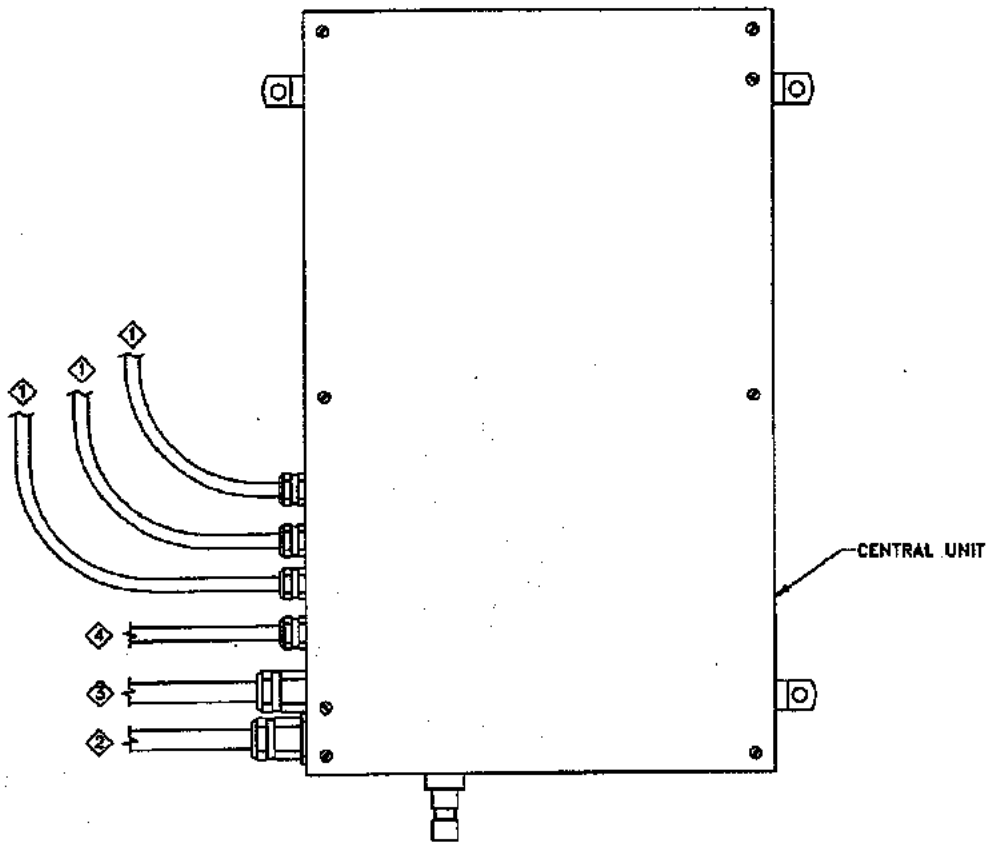
NOTES:

ADD DIELECTRIC LUBRICANT (e.g. NYOCEL 7580) TO INSIDE OF RECEPTILES, PLUGS, AND ELECTRICAL CONNECTORS, TO IMPROVE PROTECTION AGAINST CORROSION AND MAL-FUNCTION DUE TO CONDENSATION.

- A. CLEAN ELECTRICAL CONTACTS AND CONNECTORS OF ALL FOREIGN MATERIAL SUCH AS GREASE, OIL, AND DIRT BEFORE APPLYING LUBRICANT.
- B. APPLY A GENEROUS AMOUNT OF LUBRICANT ON THE ELECTRICAL CONTACTS AND CONNECTORS BEFORE MOUNTING.
- C. AFTER MATING CONTACTS AND CONNECTORS, CLEAN OFF THE EXCESS SQUEEZED OUT.

FOR ELECTRICAL CONNECTIONS REFER TO THE WIRING SCHEMATIC IN THIS PARTS AND INSTALLATION MANUAL.

- ◇ ALLOW AMPLE CABLE LOOP TO COVER ALL MAST ANGLES.
- ◇ TO CONNECT MAIN BOOM TO SUPER-STRUCTURE; SCREW CABLE WITH PLUG ORIGINATING FROM (5 x 6) JUNCTION BOX BENEATH CABLE REEL TO RECEPTACLE ON (6 x 6) JUNCTION BOX.
- ◇ TO CONNECT CABLE REEL TO MAIN BOOM NOSE; UNROLL CABLE FROM CABLE REEL AND SCREW PLUG INTO RECEPTACLE ON (6 x 6) JUNCTION BOX ON MAIN BOOM NOSE.
- ◇ REFER TO OPERATOR'S HANDBOOK FOR PROPER USE OF AZB SWITCH WEIGHT AND RETAINER FLAG.



DETAIL A
(SUPER-STRUCTURE)

NOTES:

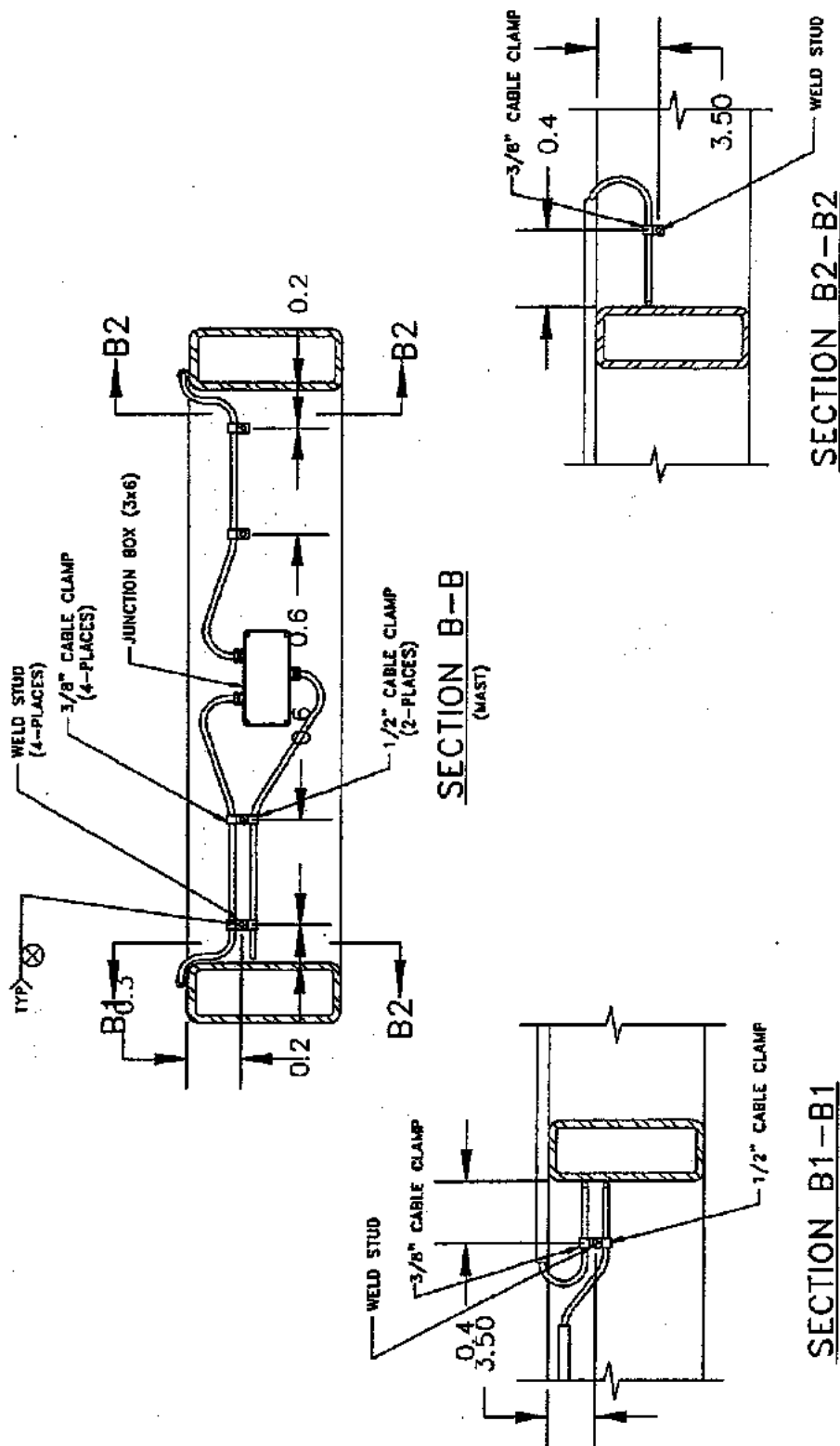
ADD DIELECTRIC LUBRICANT (e.g. NYOGEL 759G) TO INSIDE OF RECEPTACLES, PLUGS, AND ELECTRICAL CONNECTORS, TO IMPROVE PROTECTION AGAINST CORROSION AND MAL-FUNCTION DUE TO CONDENSATION.

- A. CLEAN ELECTRICAL CONTACTS AND CONNECTORS OF ALL FOREIGN MATERIAL SUCH AS GREASE, OIL, AND DIRT BEFORE APPLYING LUBRICANT.
- B. APPLY A GENEROUS AMOUNT OF LUBRICANT ON THE ELECTRICAL CONTACTS AND CONNECTORS BEFORE MOUNTING.
- C. AFTER MATING CONTACTS AND CONNECTORS, CLEAN OFF THE EXCESS SQUEEZED OUT.

FOR ELECTRICAL CONNECTIONS REFER TO THE WIRING SCHEMATIC IN THIS PARTS AND INSTALLATION MANUAL.

REFER TO SUPER-STRUCTURE COMPONENT KIT FOR INSTALLATION HARDWARE.

- ① REFER TO GROVE ELECTRICAL SCHEMATIC FOR WIRING DETAIL.
- ② WIRE TO CONSOLE IN CAB.
- ③ WIRE TO (8 x 6) JUNCTION BOX ON SUPER-STRUCTURE.
- ④ WIRE TO (3 x 3) JUNCTION BOX ON MAST.

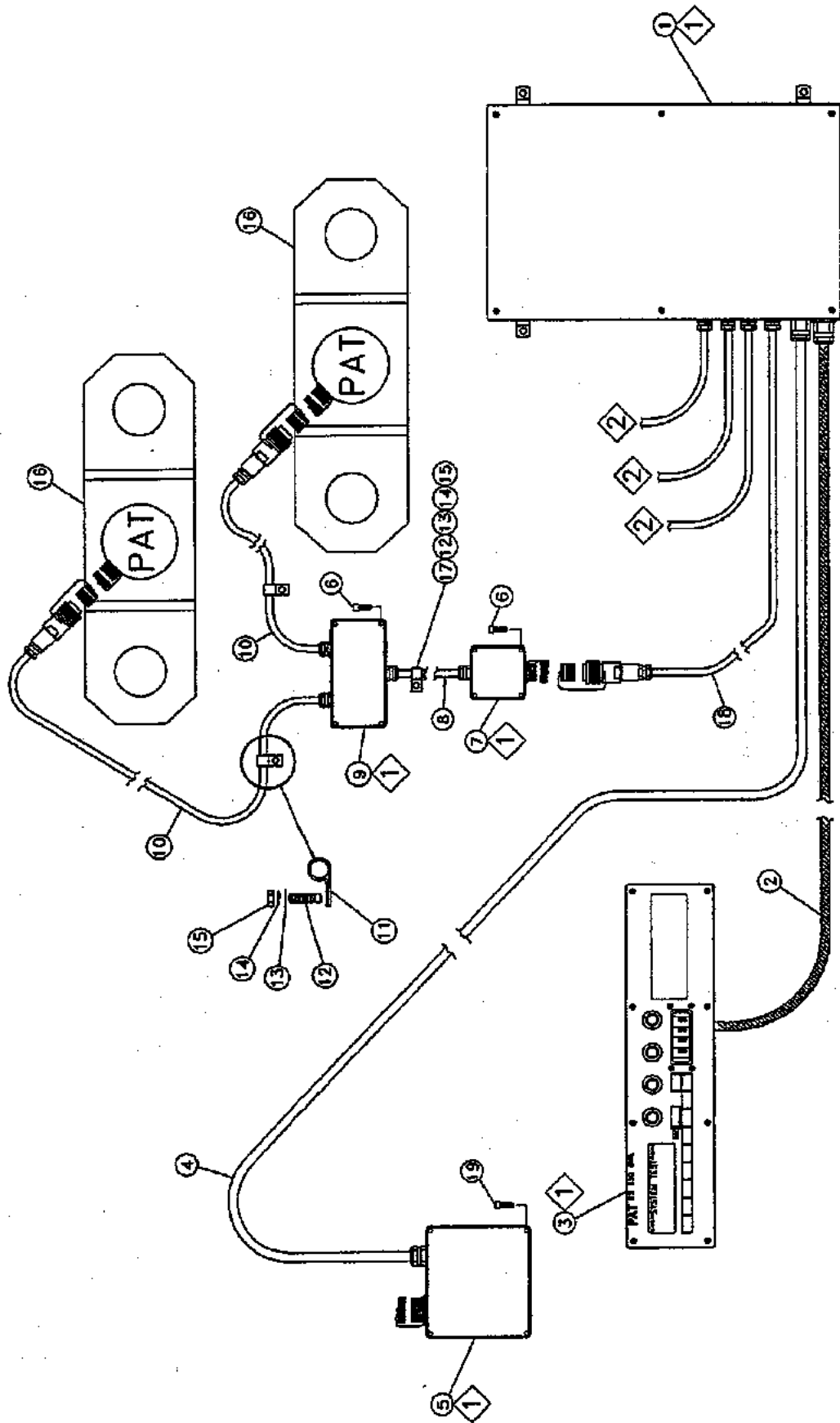


NOTES:

- A. ADD DIELECTRIC LUBRICANT (E.G. HYGREL 795G) TO INSIDE OF RECEPTACLES, PLUGS, AND ELECTRICAL CONNECTORS, TO IMPROVE PROTECTION AGAINST CORROSION AND MAL-FUNCTION DUE TO CONDENSATION.
- B. CLEAN ELECTRICAL CONTACTS AND CONNECTORS OF ALL FOREIGN MATERIAL SUCH AS GREASE, OIL, AND DIRT BEFORE APPLYING LUBRICANT.
- C. APPLY A GENEROUS AMOUNT OF LUBRICANT ON THE ELECTRICAL CONTACTS AND CONNECTORS BEFORE MOUNTING.
- D. AFTER MATING CONTACTS AND CONNECTORS, CLEAN OFF THE EXCESS SQUEEZED OUT.

ALL DIMENSIONS IN INCHES TO CENTER LINE OF WELD STUDS.
 FOR ELECTRICAL CONNECTIONS REFER TO THE WIRING SCHEMATIC IN THIS PARTS AND INSTALLATION MANUAL.
 REFER TO SUPER-STRUCTURE COMPONENT KIT FOR INSTALLATION HARDWARE.

INSTALLATION
 LMI COMPONENTS



NOTES:

① SEE PART BREAKDOWN DWG.
FOR PARTS DETAIL

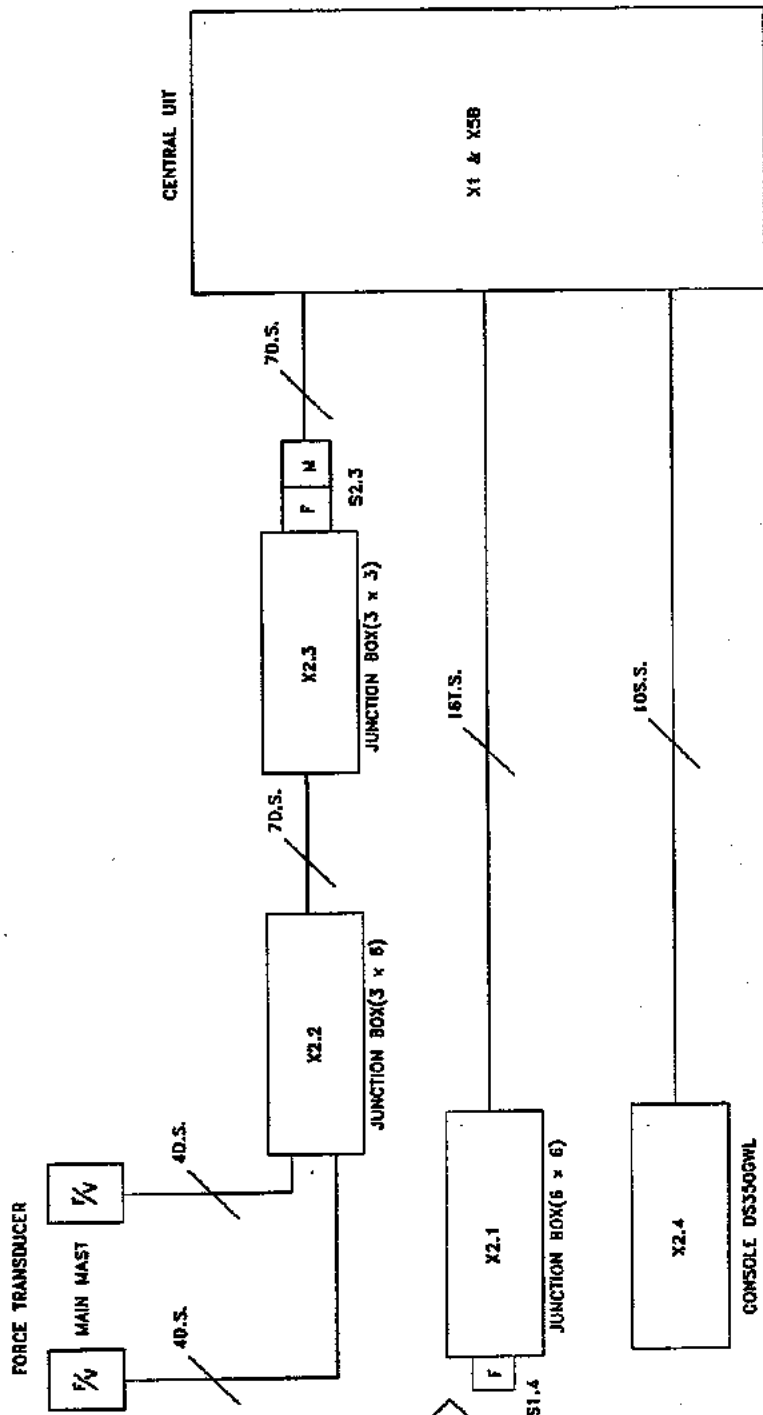
② REFER TO GROVE ELECTRICAL SCHEMATIC FOR
FOR WIRING DETAIL.

SUPERSTRUCTURE INSTALLATION

GROVE

| NO. | PART NO. | QTY DESCRIPTION | NO. | PART NO. | QTY DESCRIPTION |
|-----|--------------|--|-----|----------|-----------------|
| 1 | 9-333-102631 | 1 CENTRAL UNIT ASSEMBLY | | | |
| 2 | 9-333-102579 | 1 CABLE, 10 X 0.5 S. S. 20' (MUST CUT TO LENGTH) | | | |
| 3 | 9-333-102632 | 1 CONSOLE, ASSEMBLY | | | |
| 4 | 9-333-102578 | 1 CABLE, 16 X 0.5 T. S. 15' (MUST CUT TO LENGTH) | | | |
| 5 | 9-333-102580 | 1 JUNCTION BOX ASSEMBLY (6 X 6) | | | |
| 6 | 9-333-102581 | 8 SCREW | | | |
| 7 | 9-333-102582 | 1 JUNCTION BOX ASSEMBLY (3 X 3) | | | |
| 8 | 9-333-101746 | 1 CABLE, ELEC. 7 X 0.5 D. S. 20' | | | |
| 9 | 9-333-102583 | 1 JUNCTION BOX ASSEMBLY (3 X 6) | | | |
| 10 | 9-333-101483 | 2 CABLE, ELEC. 4 COND. D. S. 4 PIN FEMALE PLUG | | | |
| 11 | 9-333-102584 | 6 CLAMP, CABLE 3/8" | | | |
| 12 | 7-866-142140 | 4 STUD 1/4"-20 X 7/8" | | | |
| 13 | 7-950-140141 | 4 WASHER 1/4" HOLLOW | | | |
| 14 | 7-950-140050 | 4 LOCKWASHER 1/4" REG | | | |
| 15 | 7-660-140000 | 4 NUT, HEX 1/4"-20 NC - GRD A | | | |
| 16 | 9-333-101787 | 2 FORCE TRANSDUCER (60 TON) | | | |
| 17 | 7-300-000101 | 3 CLAMP 1/2" | | | |
| 18 | 9-333-102585 | 1 CABLE ASSEMBLY, 7 COND. D. S. 7 PIN FEMALE PLUG | | | |
| 19 | 9-333-102586 | 4 SCREW | | | |

* SEE FURTHER BREAKDOWN THIS GROUP



NOTES

[F] = FEMALE CONNECTOR

[M] = MALE CONNECTOR

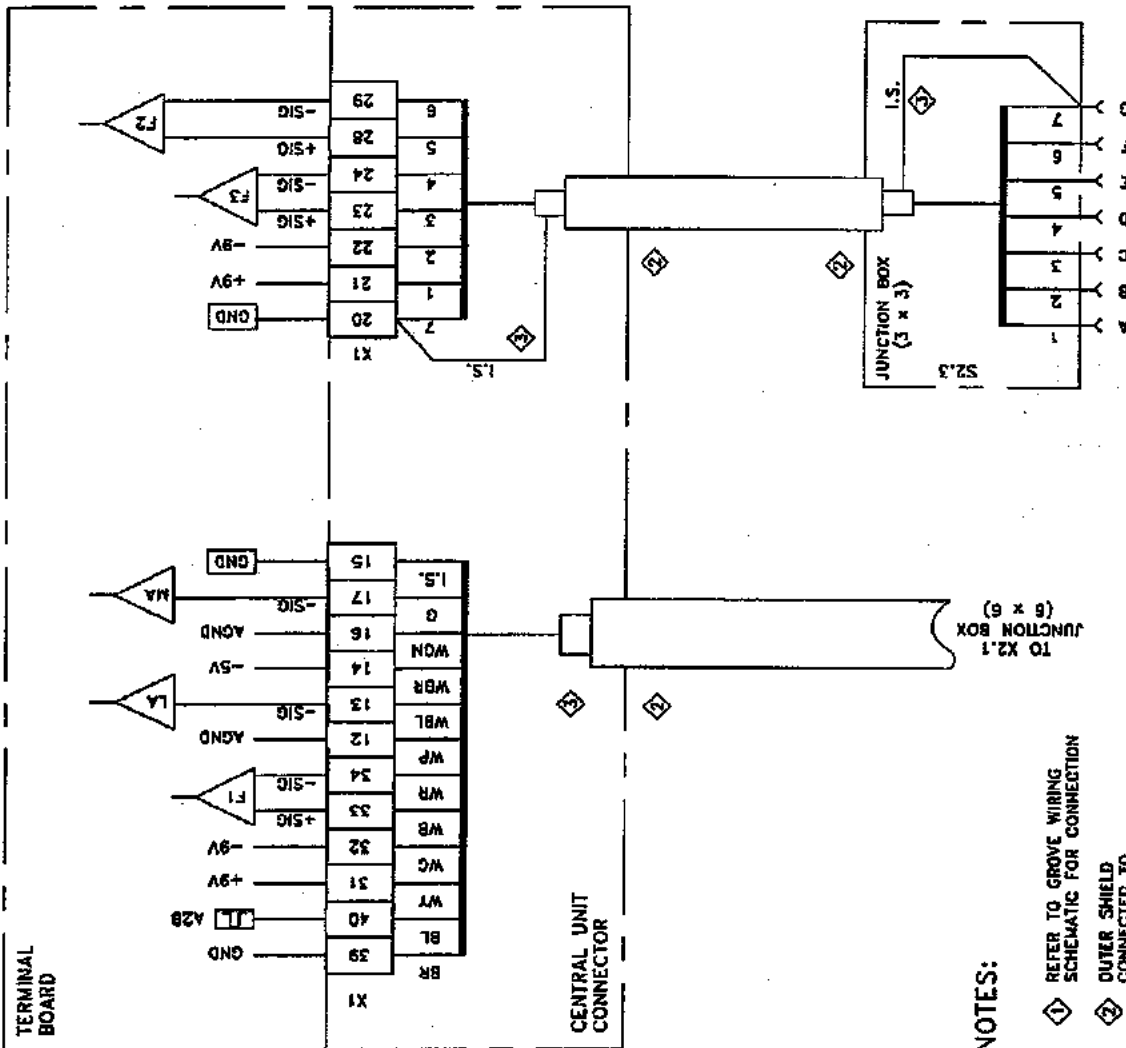
[1] = CONNECTS TO CABLE FROM MAIN BOOM

SS = SINGLE SHIELDED CABLE

DS = DOUBLE SHIELDED CABLE

TS = TRIPLE SHIELDED CABLE

CONNECTOR LOCATION

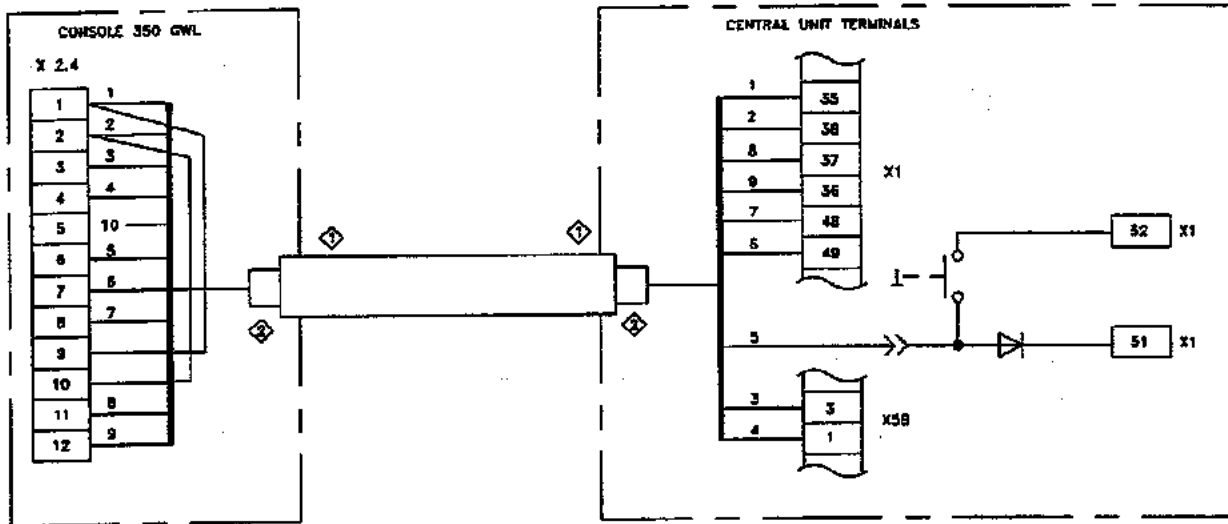


CENTRAL PROCESSING UNIT
WIRING SCHEMATIC

NOTES:

- ① REFER TO GROVE WIRING SCHEMATIC FOR CONNECTION
- ② OUTER SHIELD CONNECTED TO STRAIN RELIEF
- ③ INNER SHIELD INSULATED AND CONNECTED AS SHOWN

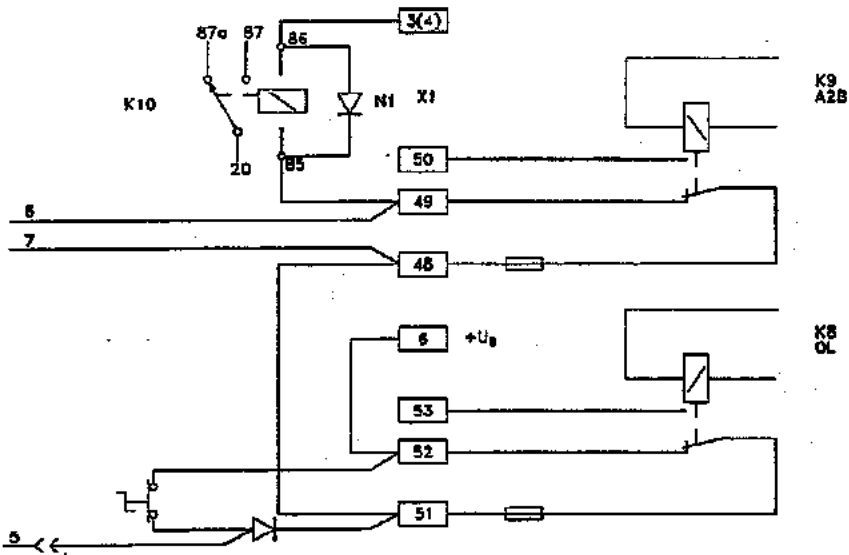
| CODE | COLOR |
|------|--------------|
| BR | BROWN |
| BL | BLACK |
| WY | WHITE/YELLOW |
| WG | WHITE/GRAY |
| WB | WHITE/BLUE |
| WR | WHITE/RED |
| WP | WHITE/PINK |
| WBL | WHITE/BLACK |
| WBR | WHITE/BROWN |
| P | PINK |
| W | WHITE |
| GN | GREEN |
| B | BLUE |
| R | RED |
| WGN | WHITE/GREEN |
| C | GRAY |
| L.S. | INNER SHIELD |



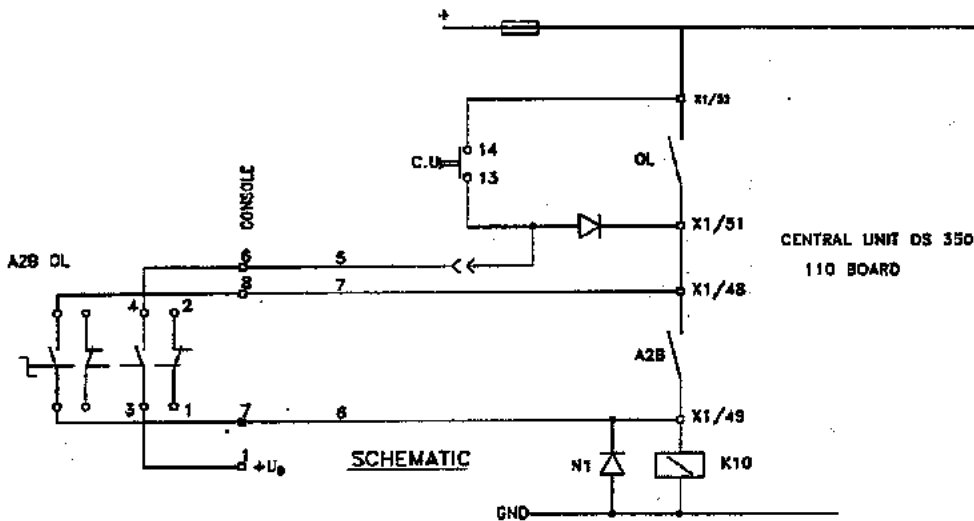
NOTES:

- ① OUTER SHIELD CONNECTED TO STRAIN RELIEF
- ② INNER SHIELD CUT AND INSULATED ON BOTH ENDS

**CENTRAL PROCESSING UNIT
TO CONSOLE
WIRING SCHEMATIC**



WIRING DIAGRAM BY-PASS SWITCH CONNECTION



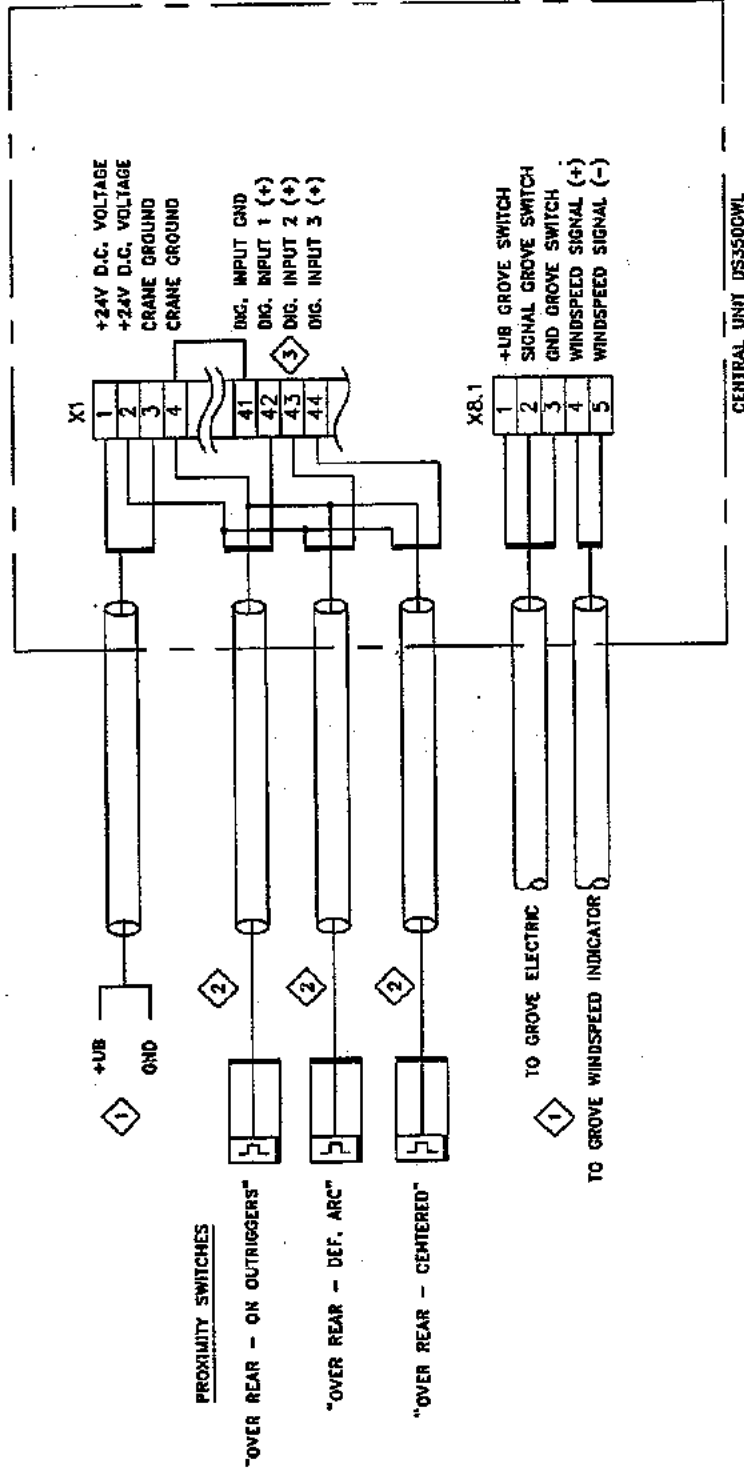
SCHEMATIC

CENTRAL UNIT DS 350
110 BOARD

NOTES:

A2B = ANTI-TWO BLOCK
OL = OVER/LOAD

BY-PASS SWITCH SCHEMATIC



CENTRAL UNIT DS3500WL

CRANE ELECTRIC INTERFACE

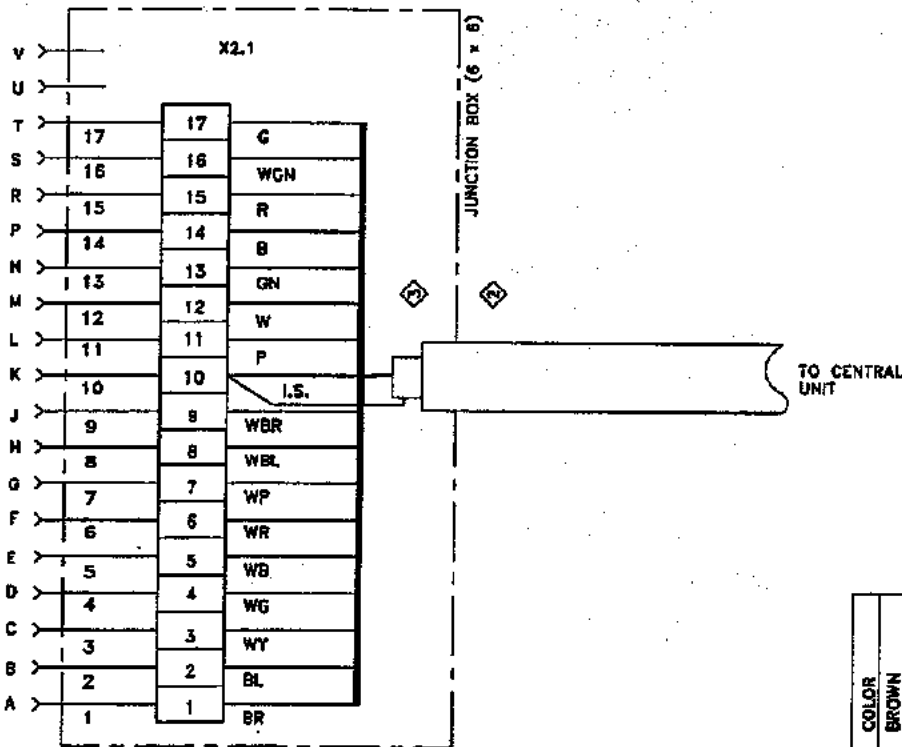
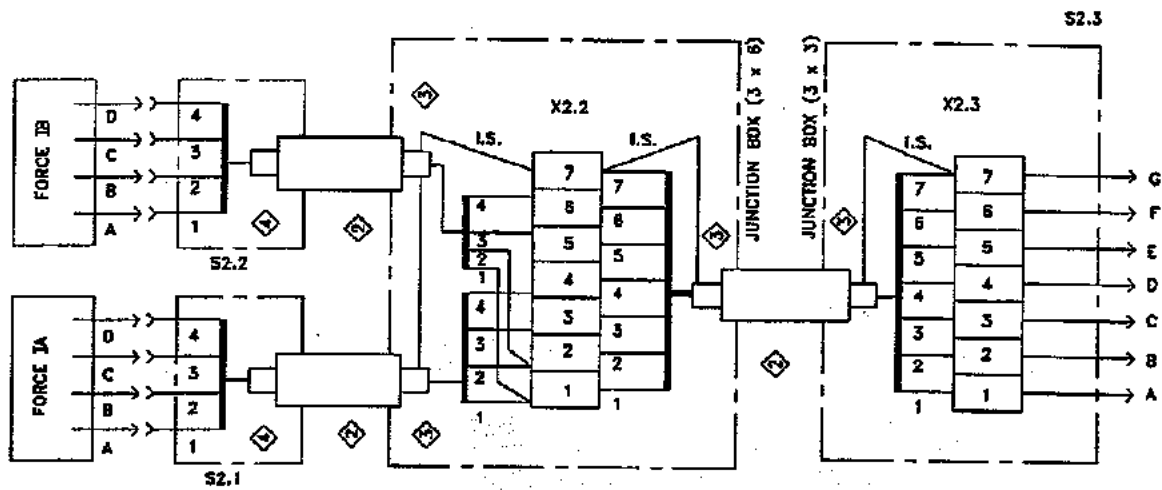
NOTES

1 REFER TO GROVE SCHEMATICS AND DOCUMENTATION

2 FOR HOIST ONLY; NOT USED FOR HL150C

3 CONNECTED FOR HL150T ONLY; NOT CONNECTED FOR HL150C

MAIN MAST

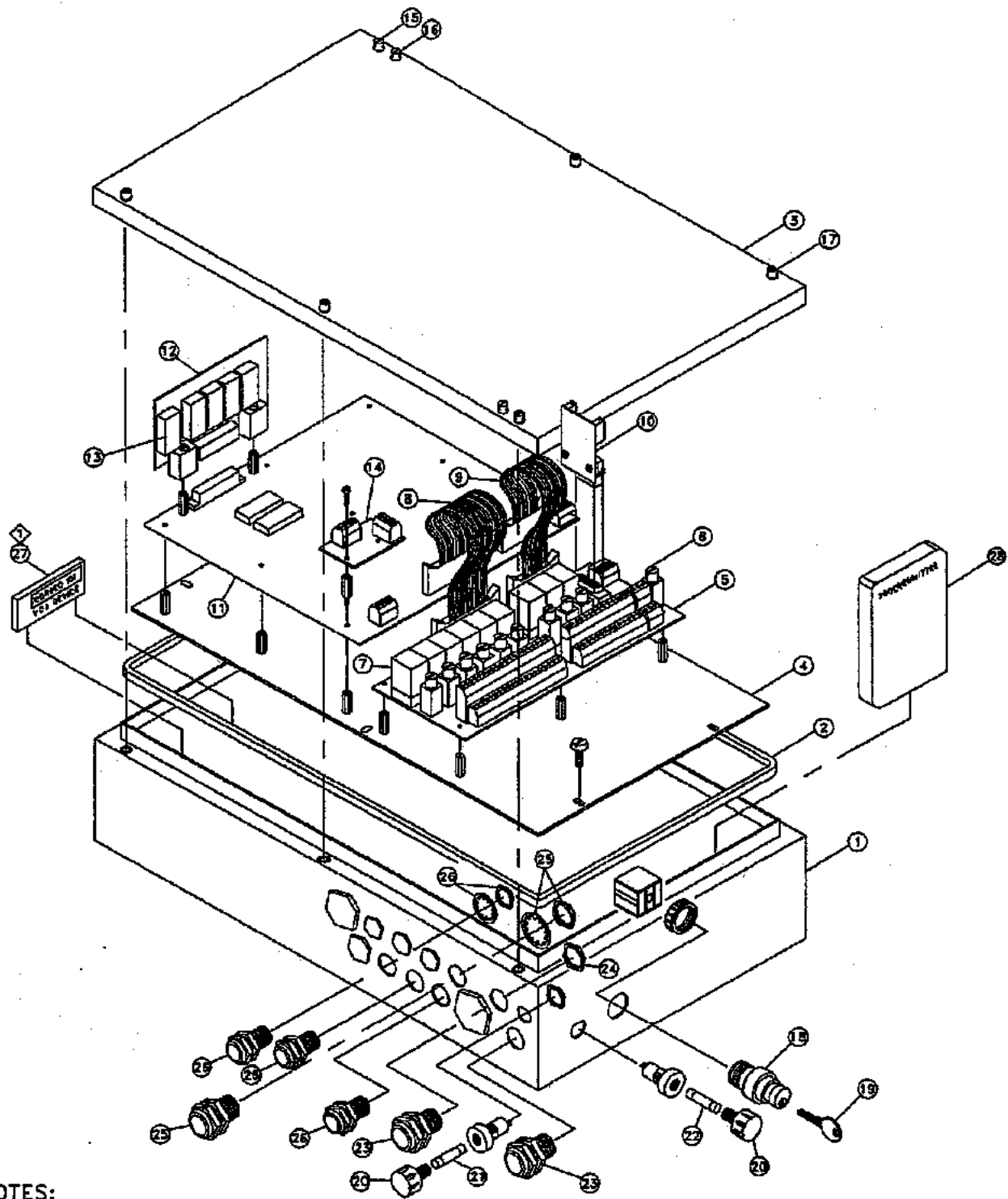


S1.4

NOTES:

- ② OUTER SHIELD CONNECTED TO STRAIN RELIEF
- ③ INNER SHIELD INSULATED AND CONNECTED AS SHOWN
- ④ INNER SHIELD CUT AND INSULATED

| CODE | COLOR |
|------|--------------|
| BR | BROWN |
| BL | BLACK |
| WY | WHITE/YELLOW |
| WG | WHITE/GRAY |
| WB | WHITE/BLUE |
| WR | WHITE/RED |
| WP | WHITE/PINK |
| WBL | WHITE/BLACK |
| WBR | WHITE/BROWN |
| P | PINK |
| W | WHITE |
| GN | GREEN |
| B | BLUE |
| R | RED |
| WGN | WHITE/GREEN |
| G | GRAY |
| I.S. | INNER SHIELD |



NOTES:

SEE PAGE 6 FOR BILL
OF MATERIAL.

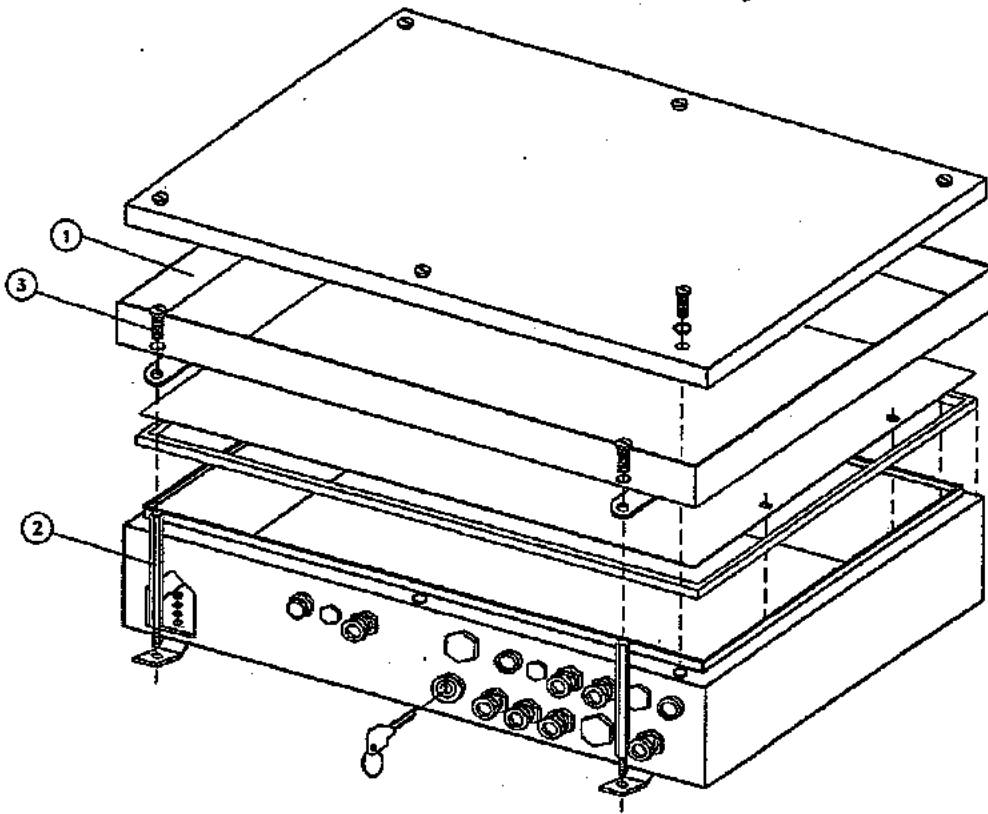
- ◆ PEEL OFF PROTECTIVE PAPER FROM
SELFADHESIVE ON BACK OF DEVICE.
ADHERE TO INSIDE WALL OF ENCLOSURE.

CENTRAL UNIT ASSEMBLY

GROVE

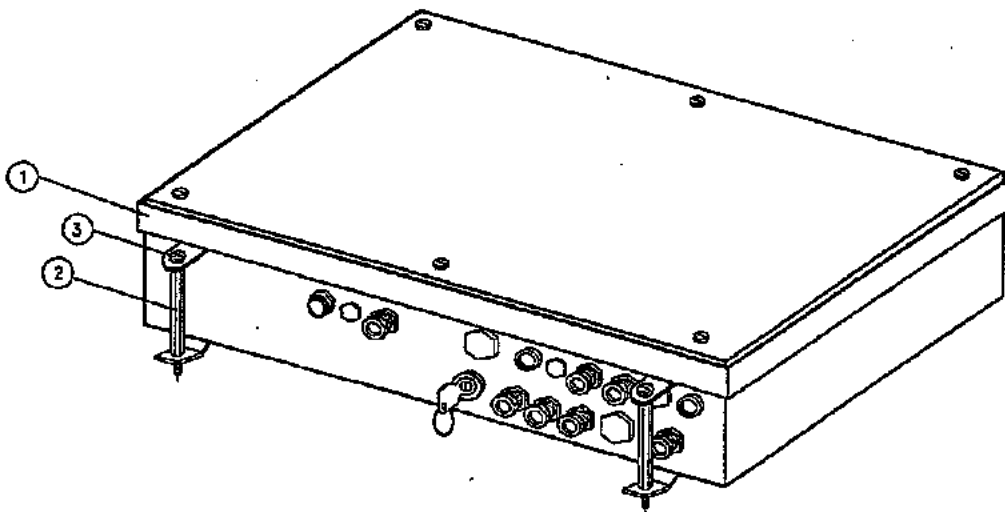
| NO. | PART NO. | QTY DESCRIPTION | NO. | PART NO. | QTY DESCRIPTION |
|-----|--------------|---|-----|----------|-----------------|
| | 9-333-102631 | COMPLETE ASSY | | | |
| 1 | 9-333-101662 | 1 HOUSING | | | |
| 2 | 9-333-101591 | 1 SEAL, COVER | | | |
| 3 | 9-333-101589 | 1 COVER | | | |
| 4 | 9-333-102083 | 1 PLATE, MOUNTING | | | |
| 5 | 9-333-102587 | 1 BOARD, CONNECTION | | | |
| 6 | 9-333-102089 | 1 FUSE, 4 AMP | | | |
| 7 | 9-333-101596 | 1 RELAY | | | |
| 8 | 9-333-101595 | 1 CABLE, CONNECTING 40 CORE | | | |
| 9 | 9-333-101594 | 1 CABLE, CONNECTING 26 CORE | | | |
| 10 | 9-333-102588 | 1 BOARD, AMPLIFIER | | | |
| 11 | 9-333-102589 | 1 BOARD, MAIN | | | |
| 12 | 9-333-102590 | 1 BOARD, MEMORY | | | |
| 13 | 9-333-102088 | 1 FUSE, 2 AMP | | | |
| 14 | 9-333-102288 | 1 BOARD, INTERFACE | | | |
| 15 | 9-333-102380 | 2 SCREW #5 X 30 W/HOLE | | | |
| 16 | 9-333-102381 | 2 SCREW #5 X 10 W/HOLE | | | |
| 17 | 9-333-102379 | 4 SCREW #5 X 30 W/O HOLE | | | |
| 18 | 9-333-101981 | 1 SWITCH, BYPASS | | | |
| 19 | 9-333-101982 | 1 KEY | | | |
| 20 | 9-333-101886 | 2 HOLDER, FUSE | | | |
| 21 | 9-333-101667 | 1 FUSE, AMP 2 | | | |
| 22 | 7-482-000019 | 1 FUSE, 10 AMP | | | |
| 23 | 9-333-101735 | 2 STRAIN RELIEF GREY - WHITE INSERT PG13.5 | | | |
| 24 | 9-333-101547 | 2 LOCKNUT PG 13.5 | | | |
| 25 | 9-333-102444 | 1 STRAIN RELIEF RED INSERT - PG11 W/NUIT AND WASHER | | | |
| 26 | 9-333-101599 | 3 STRAIN RELIEF GREEN INSERT - PG11 | | | |
| 27 | 7-296-000004 | 1 INHIBITOR, CORROSION | | | |
| 28 | 9-333-101918 | 1 DESSICANT PACK | | | |

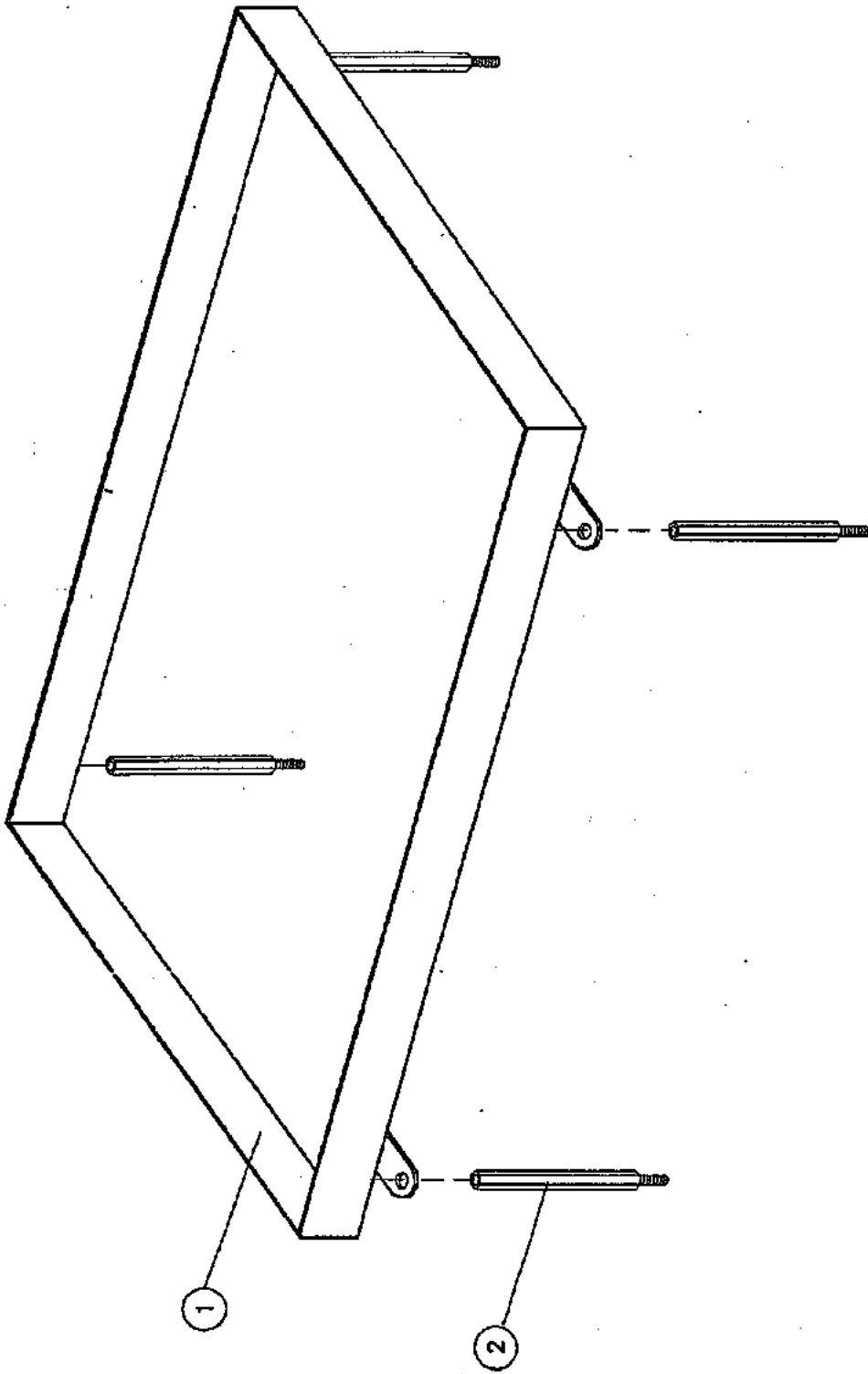
THIS PAGE INTENTIONALLY LEFT BLANK.



WATER DEFLECTION FRAME INSTALLATION

1. REMOVE EXISTING MOUNTING HARDWARE SCREWS (3) AND REPLACE THEM WITH THE REQUIRED STAND-OFFS (2) TO FIT YOUR APPLICATION.
2. PLACE THE WATER DEFLECTION FRAME (1) ATOP THE STAND-OFFS AND SECURE THE FRAME WITH THE MOUNTING SCREWS (3) REMOVED PREVIOUSLY.
3. ENSURE THAT THE WATER DEFLECTION FRAME (1) SURROUNDS THE SEAL WHERE THE CENTRAL UNIT COVER MEETS THE HOUSING.



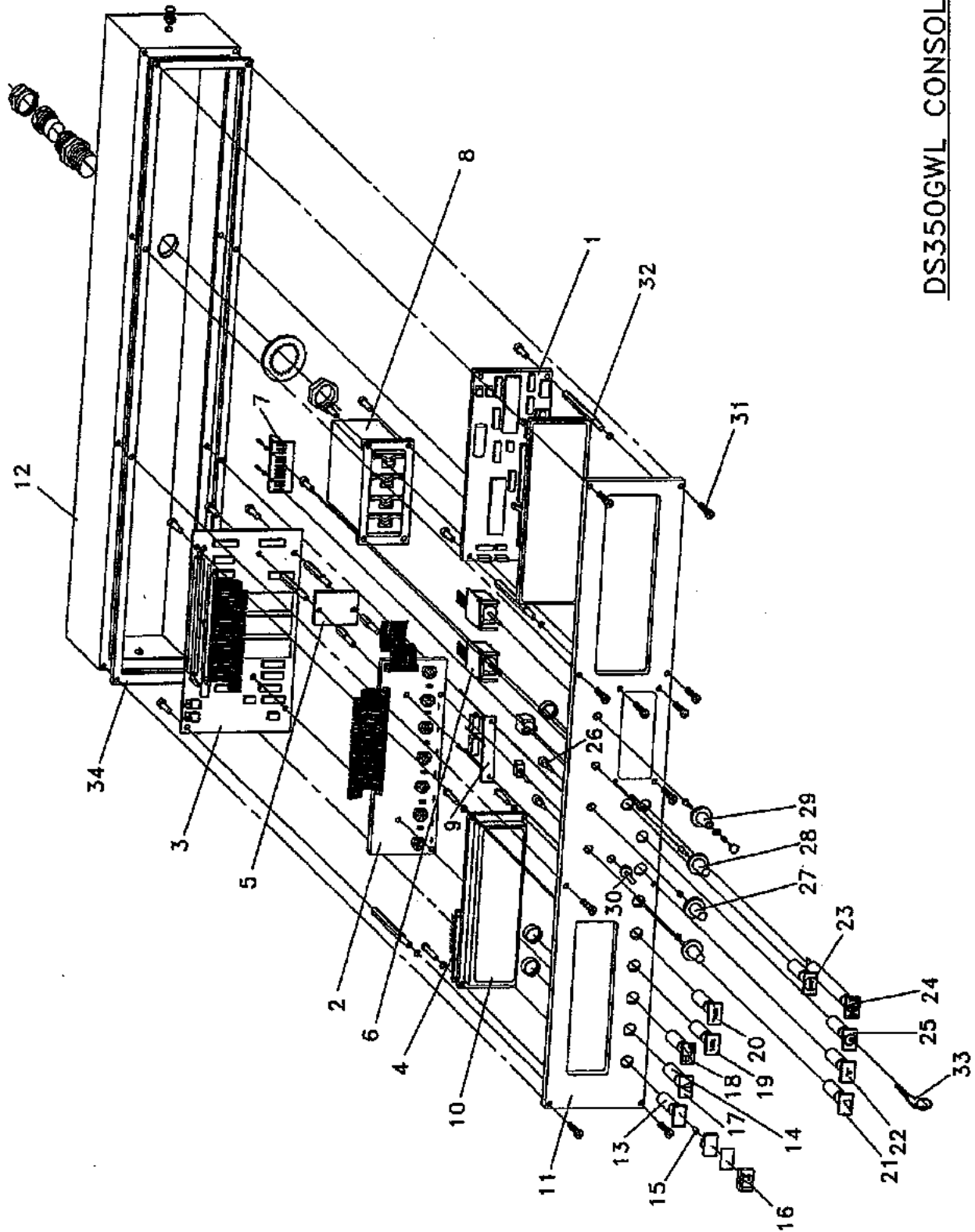


WATER DEFLECTION
FRAME ASSY

WATER DEFLECTION FRAME INSTALLATION

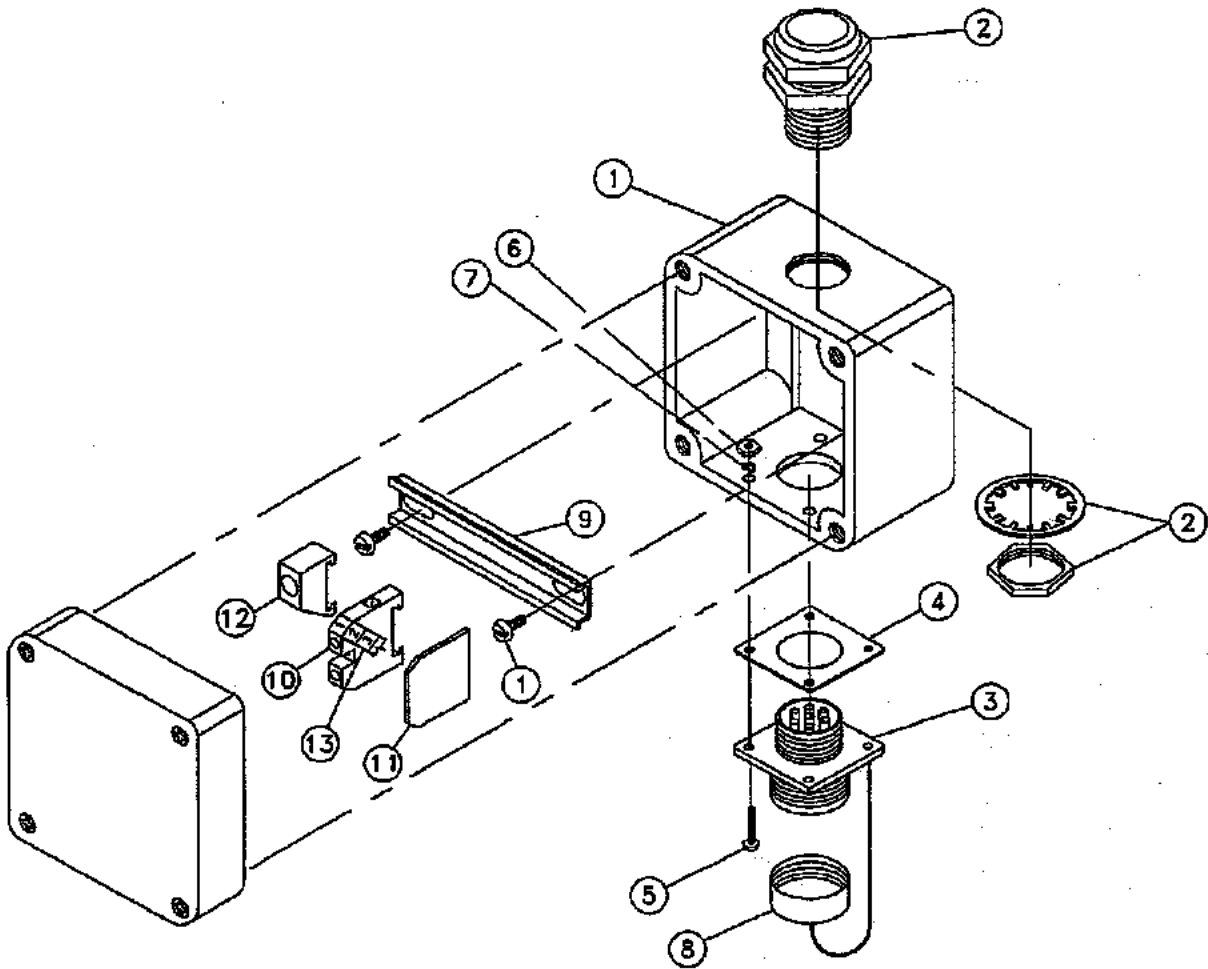
GROVE

| NO. | PART NO. | QTY | DESCRIPTION | NO. | PART NO. | QTY | DESCRIPTION |
|-----|---------------|-----|--------------------------|-----|----------|-----|-------------|
| | 3-486-0-00379 | | COMPLETE ASSY | | | | |
| 1 | 9-333-102576 | 1 | FRAME | | | | |
| 2 | 9-333-102627 | 1 | HARDWARE, FRAME MOUNTING | | | | |

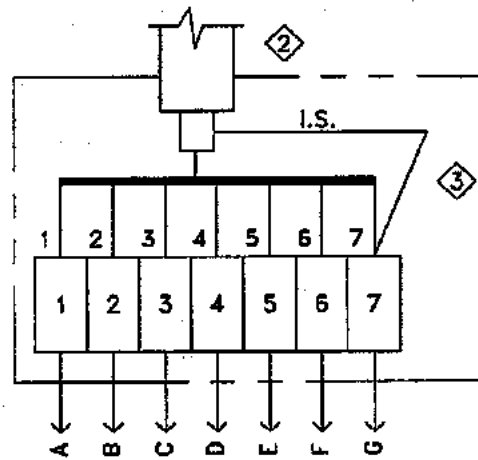


DS350GWL CONSOLE

| NO. | PART NO. | QTY DESCRIPTION | NO. | PART NO. | QTY DESCRIPTION |
|-----|--------------|--|-----|----------|-----------------|
| | 9-333-102632 | COMPLETE ASSY | | | |
| 1 | 9-333-102771 | 1 PROCESSOR BOARD, DATA DISPLAY (AEC) | | | |
| 2 | 9-333-102772 | 1 TERMINAL BOARD, DOT MATRIX DISPLAY | | | |
| 3 | 9-333-102189 | 1 BOARD, COMPUTER | | | |
| 4 | 9-333-102774 | 1 DISPLAY ADAPTER, DOT MATRIX | | | |
| 5 | 9-333-102775 | 1 ADAPTER, BY-PASS ELECTRONIC | | | |
| 6 | 9-333-102776 | 1 RECEIVING SWITCH MODULE, W/ MOUNTING | | | |
| 7 | 9-333-102079 | 1 STRIP, TERMINAL | | | |
| 8 | 9-333-102777 | 1 THUMBWHEEL SWITCH ASS'Y, W/ SCREWS | | | |
| 9 | 9-333-102778 | 1 ILLUMINATION VOLTAGE DIVIDER, 12/24 VOLT | | | |
| 10 | 9-333-102779 | 1 DOT MATRIX, LCD ASS'Y | | | |
| 11 | 9-333-102780 | 1 FRONTFACE, W/ GLASS | | | |
| 12 | 9-333-102781 | 1 ENCLOSURE, COMPLETE | | | |
| 13 | 9-333-102782 | 3 INDICATOR LIGHT BASE | | | |
| 14 | 9-333-102783 | 5 INDICATOR, PUSH BUTTON BASE | | | |
| 15 | 9-333-102073 | 8 BULB | | | |
| 16 | 9-333-101682 | 1 CAP, YELLOW | | | |
| 17 | 9-333-101681 | 1 CAP, RED | | | |
| 18 | 9-333-101676 | 1 CAP, RED | | | |
| 19 | 9-333-102127 | 1 CAP, YELLOW | | | |
| 20 | 9-333-101678 | 1 CAP, ORANGE | | | |
| 21 | 9-333-101679 | 1 CAP, ORANGE | | | |
| 22 | 9-333-101680 | 1 CAP, GREEN | | | |
| 23 | 9-333-102784 | 1 LENS, RED BY-PASS WARNING | | | |
| 24 | 9-333-102125 | 1 BUZZER | | | |
| 25 | 9-333-102785 | 1 BY-PASS KEYSWITCH ASS'Y | | | |
| 26 | 9-333-102786 | 1 ROTARY SWITCH FOR GEOM. DATA SELECTION | | | |
| 27 | 9-333-102787 | 1 HDOB, SCALE (POINTER) HOIST ROPE MODEL | | | |
| 28 | 9-333-102078 | 1 HDOB | | | |
| 29 | 9-333-101997 | 1 HDOB | | | |
| 30 | 9-333-102167 | 1 SWITCH | | | |
| 31 | 9-333-102788 | 8 MOUNTING SCREWS, FRONTFACE | | | |
| 32 | 9-333-102789 | 1 MOUNTING SCREW SET, INTERNAL COMPONENTS | | | |
| 33 | 9-333-101691 | 1 KEY, CONSOLE | | | |
| 34 | 9-333-102713 | 1 GASKET | | | |



EXPLODED VIEW



WIRING DETAIL

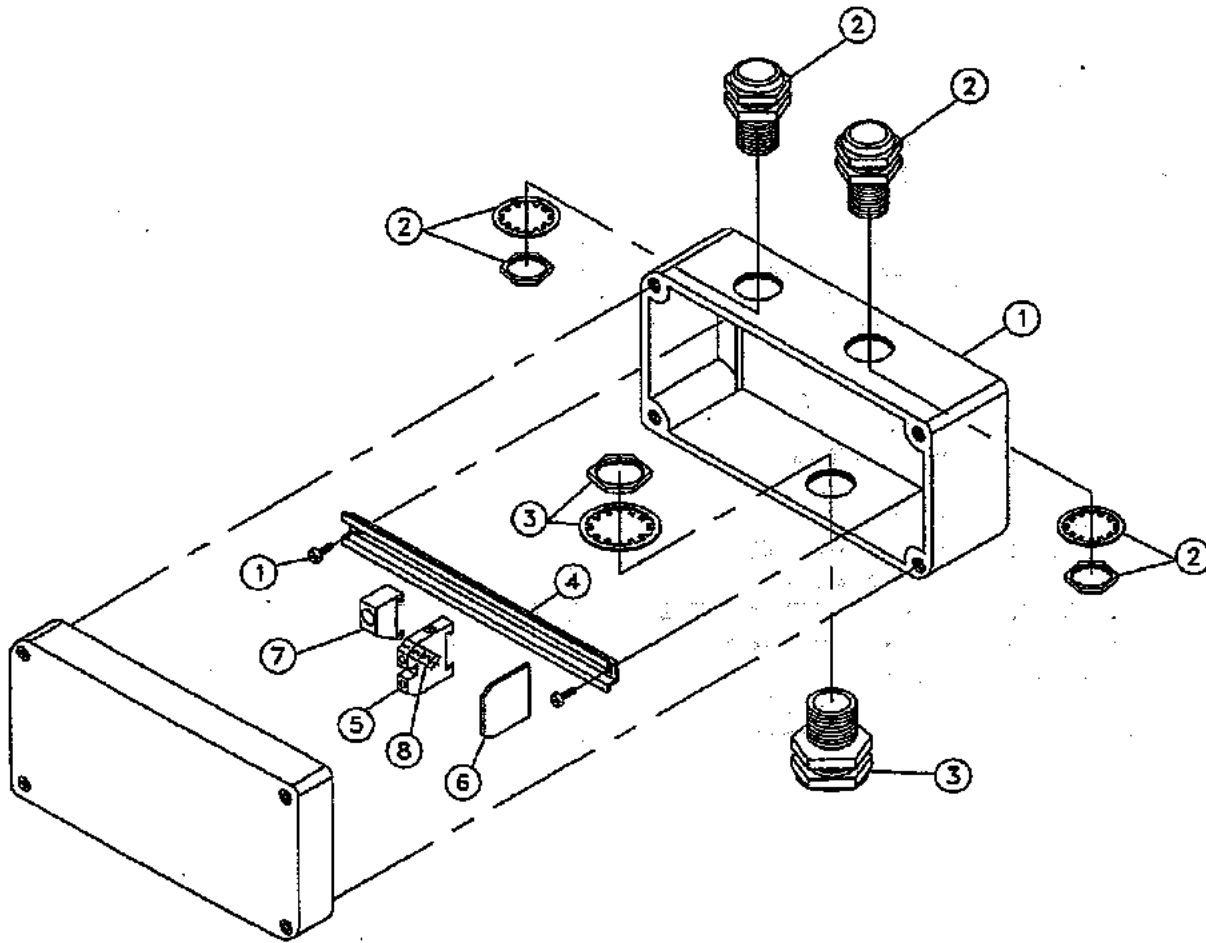
NOTES:

- ② OUTER SHIELD CONNECTED TO STRAIN RELIEF INSERT.
- ③ INNER SHIELD INSULATED AND CONNECTED AS SHOWN.

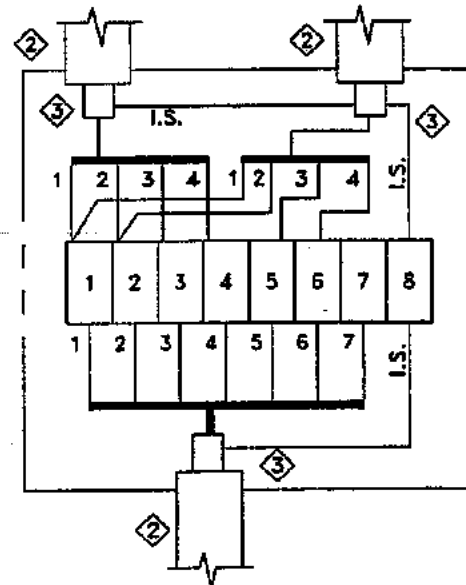
JUNCTION BOX ASSEMBLY (3 X 3)

GROVE

| NO. | PART NO. | QTY DESCRIPTION | NO. | PART NO. | QTY DESCRIPTION |
|-----|--------------|--|-----|----------|-----------------|
| | 9-333-102582 | COMPLETE ASSY | | | |
| 1 | 9-333-102591 | 1 BOX, HAMMOND | | | |
| 2 | 9-333-101579 | 1 STRAIN RELIEF PG13, 5 | | | |
| 3 | 9-333-102704 | 1 CADDON CONNECTOR, 7-PIN MALE RECEPTACLE | | | |
| 4 | 9-333-102482 | 1 GASKET | | | |
| 5 | 9-333-102265 | 4 SCREW 4-40 X 1/2" | | | |
| 6 | 9-333-102480 | 4 NUT #4 | | | |
| 7 | 9-333-102266 | 4 LOCKWASHER #4 | | | |
| 8 | 9-333-102268 | 1 CAP, DUST | | | |
| 9 | 9-333-102662 | 1 MOUNTING RAIL, TERMINAL STRIP | | | |
| 10 | 9-333-102663 | 7 BLOCK, TERMINAL STRIP | | | |
| 11 | 9-333-102664 | 1 END PLATE, TERMINAL STRIP | | | |
| 12 | 9-333-102665 | 1 END BRACKET, TERMINAL STRIP | | | |
| 13 | 9-333-102666 | 1 TAGS, TERMINAL STRIP | | | |



EXPLODE VIEW



WIRING DETAIL

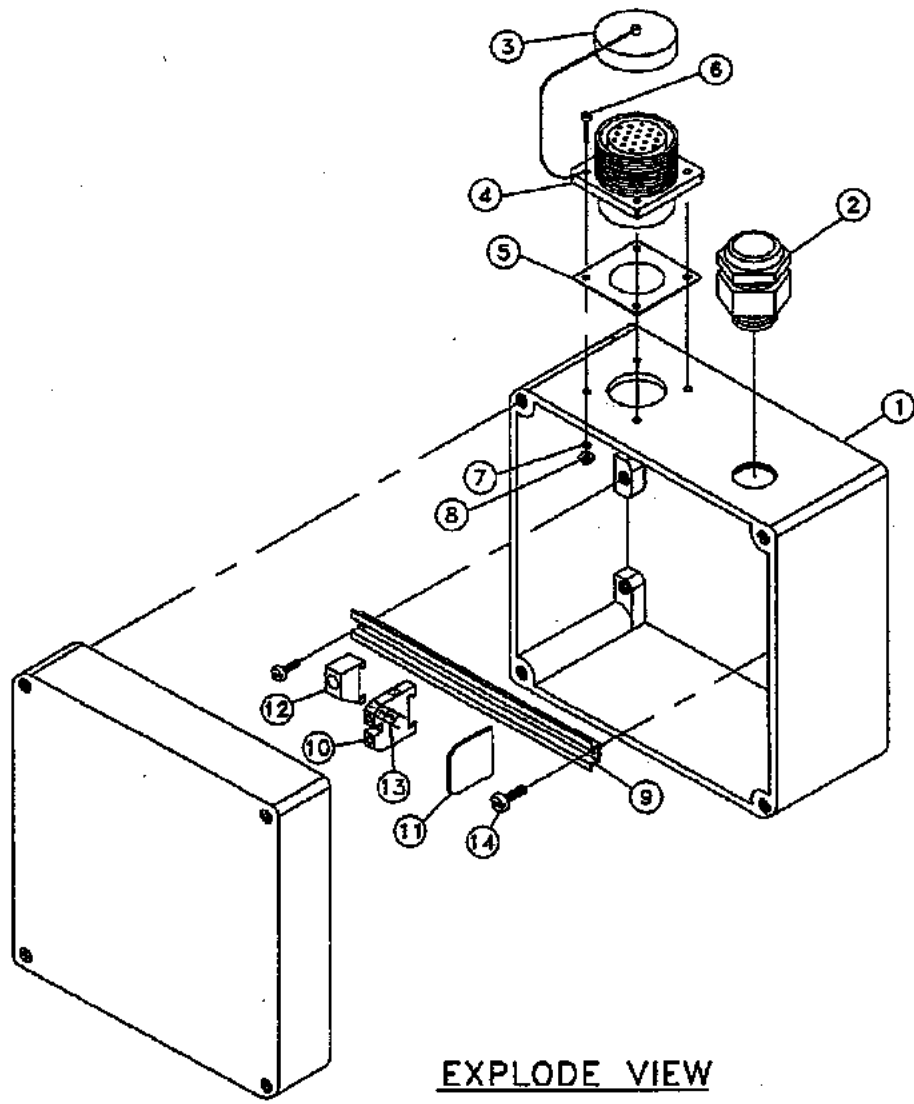
NOTES:

- ② OUTER SHIELD CONNECTED TO STRAIN RELIEF INSERT.
- ③ INNER SHIELD INSULATED AND CONNECTED AS SHOWN.

JUNCTION BOX ASSEMBLY (3 X 6)

GROVE

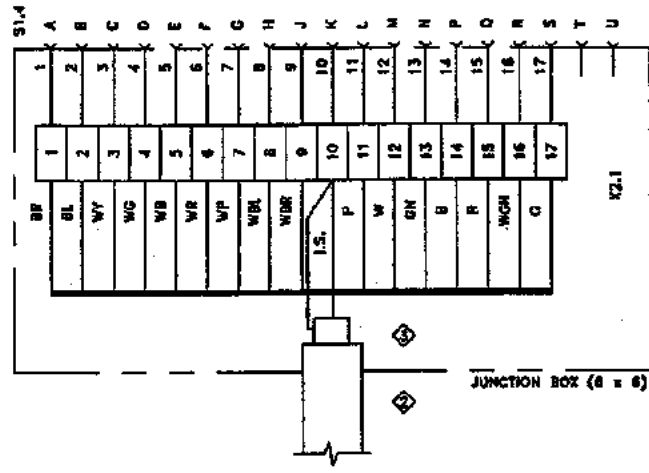
| NO. | PART NO. | QTY | DESCRIPTION | NO. | PART NO. | QTY | DESCRIPTION |
|-----|--------------|-----|--------------------------------------|-----|----------|-----|-------------|
| | 9-333-102583 | | COMPLETE ASSY | | | | |
| 1 | 9-333-102592 | 1 | BOX, HARMOND | | | | |
| 2 | 9-333-101599 | 2 | STRAIN RELIEF GREEN INSERT - PG11 | | | | |
| 3 | 9-333-101579 | 1 | STRAIN RELIEF PG13.5 | | | | |
| 4 | 9-333-102667 | 1 | MOUNTING RAIL, TERMINAL STRIP | | | | |
| 5 | 9-333-102663 | 8 | BLOCK, TERMINAL STRIP | | | | |
| 6 | 9-333-102684 | 1 | END PLATE, TERMINAL STRIP | | | | |
| 7 | 9-333-102665 | 1 | END BRACKET, TERMINAL STRIP | | | | |
| 8 | 9-333-102666 | 1 | TAGS, TERMINAL STRIP | | | | |



EXPLODE VIEW

NOTES:

- ② OUTER SHIELD CONNECTED TO STRAIN RELIEF
- ③ INNER SHIELD INSULATED AND CONNECTED AS SHOWN



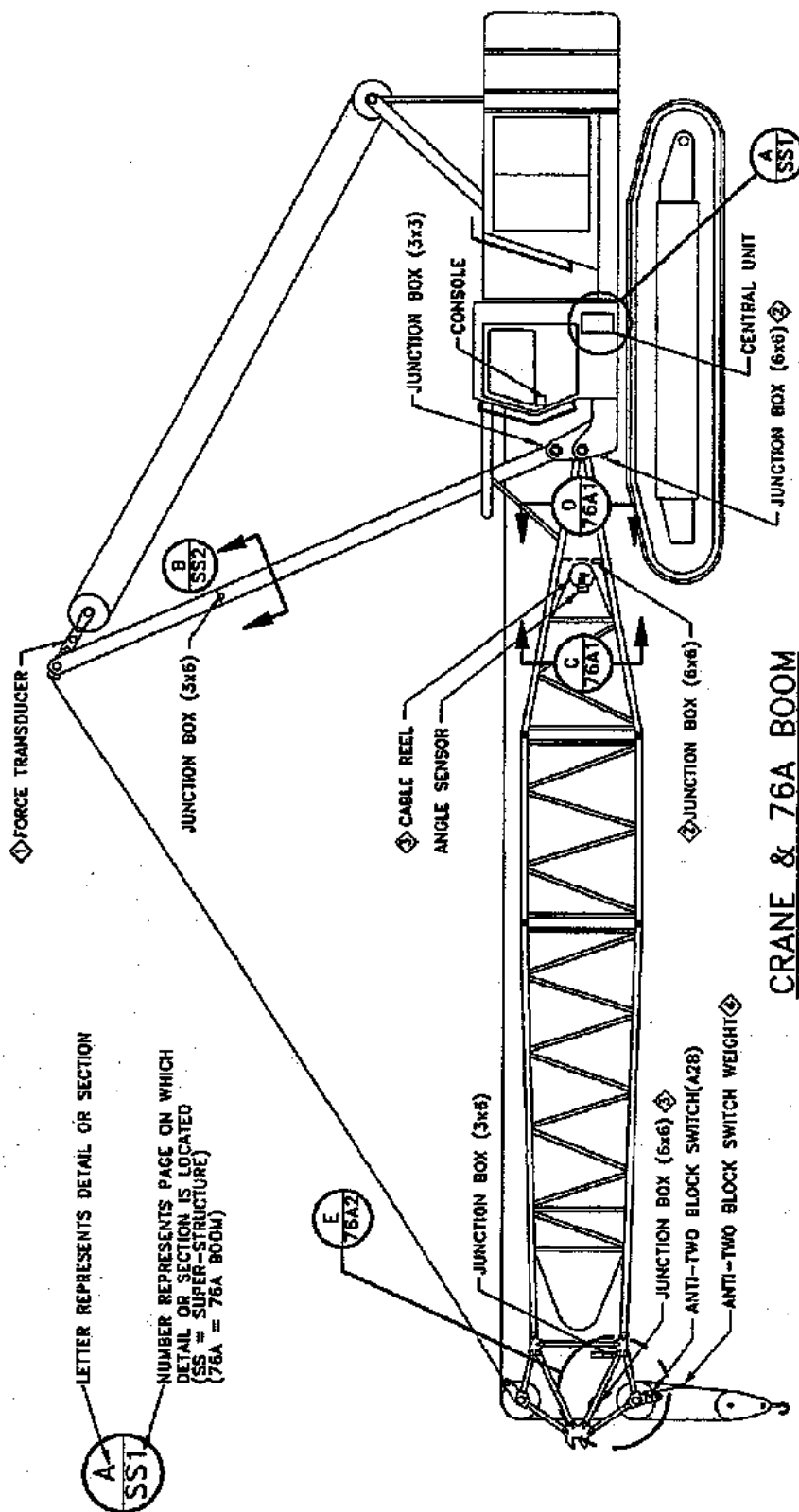
WIRING DETAIL

JUNCTION BOX ASSEMBLY (6 X 6)

GROVE

| NO. | PART NO. | QTY | DESCRIPTION | NO. | PART NO. | QTY | DESCRIPTION |
|-----|--------------|-----|--|-----|----------|-----|-------------|
| | 9-333-102580 | | COMPLETE ASSY | | | | |
| 1 | 9-333-102345 | 1 | HOUSING | | | | |
| 2 | 9-333-101735 | 1 | STRAIN RELIEF GREY - WHITE INSERT PG13.5 | | | | |
| 3 | 9-333-102268 | 1 | CAP. DUST | | | | |
| 4 | 9-333-102645 | 1 | CONNECTOR, CARBON, 19-PIN MALE RECEPTACLE | | | | |
| 5 | 9-333-102668 | 1 | GASKET | | | | |
| 6 | 9-333-102669 | 4 | SCREW #4 | | | | |
| 7 | 9-333-102266 | 4 | LOCKWASHER #4 | | | | |
| 8 | 9-333-102480 | 4 | BUT #4 | | | | |
| 9 | 9-333-102670 | 1 | MOUNTING RAIL, TERMINAL STRIP | | | | |
| 10 | 9-333-102663 | 17 | BLOCK, TERMINAL STRIP | | | | |
| 11 | 9-333-102664 | 1 | END PLATE, TERMINAL STRIP | | | | |
| 12 | 9-333-102665 | 1 | END BRACKET, TERMINAL STRIP | | | | |
| 13 | 9-333-102666 | 1 | TAGS, TERMINAL STRIP | | | | |
| 14 | 9-333-102671 | 2 | SCREW, 6MM X 8MM | | | | |

THIS PAGE INTENTIONALLY LEFT BLANK.



CRANE & 76A BOOM

INSTALLATION OF LMI COMPONENTS

NOTES:

ADD DIELECTRIC LUBRICANT (e.g. NYOGEL 7596) TO INSIDE OF RECEPTACLES, PLUGS, AND ELECTRICAL CONNECTORS. TO IMPROVE PROTECTION AGAINST CORROSION AND MALFUNCTION DUE TO CONDENSATION.

4. CLEAN ELECTRICAL CONTACTS AND CONNECTORS OF ALL FOREIGN MATERIAL SUCH AS GREASE, OIL, AND DIRT BEFORE APPLYING LUBRICANT.

5. APPLY A GENEROUS AMOUNT OF LUBRICANT ON THE ELECTRICAL CONTACTS AND CONNECTORS BEFORE MOUNTING.

6. AFTER MATING CONTACTS AND CONNECTORS, CLEAN OFF THE EXCESS SQUEEZED OUT.

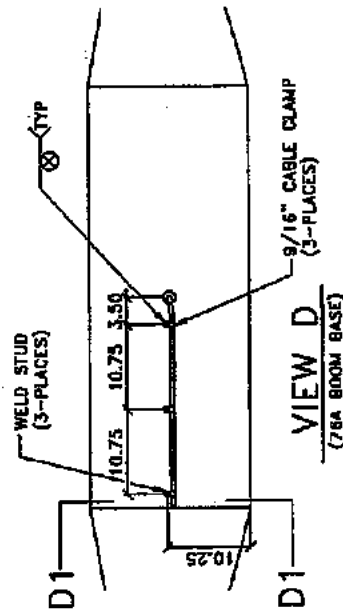
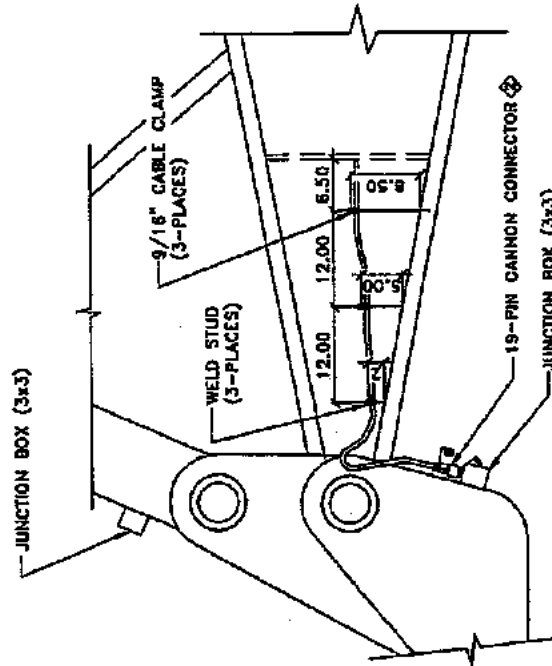
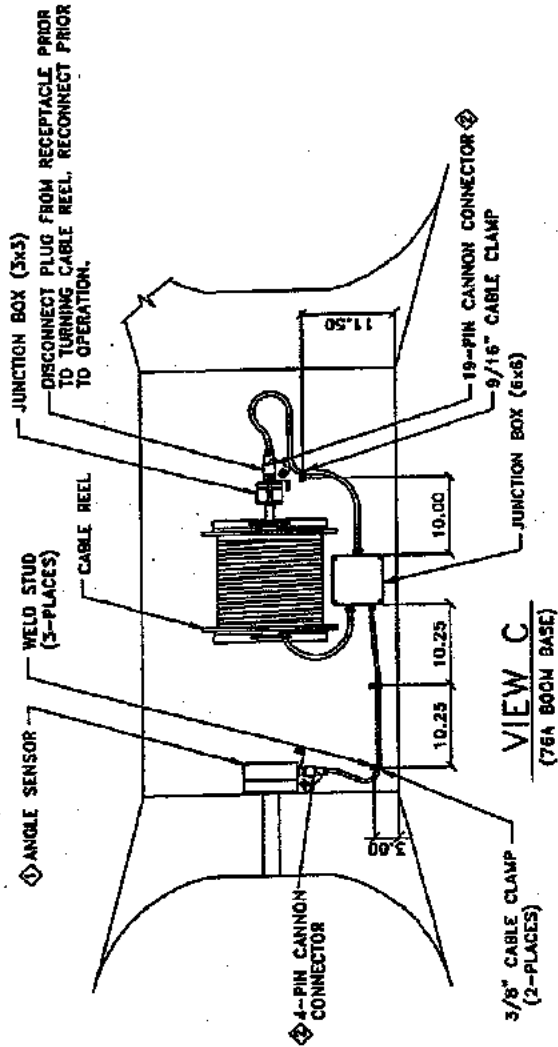
FOR ELECTRICAL CONNECTIONS REFER TO THE WIRING SCHEMATIC IN THIS PARTS AND INSTALLATION MANUAL.

7. ALLOW AMPLE CABLE LOOP TO COVER ALL MAST ANGLES.

8. TO CONNECT MAIN BOOM TO SUPER-STRUCTURE: SCREW CABLE WITH PLUG, ORIGINATING FROM (6 x 6) JUNCTION BOX, BENEATH CABLE REEL TO RECEPTACLE ON (6 x 6) JUNCTION BOX.

9. TO CONNECT CABLE REEL TO MAIN BOOM NOSE: UNWIND CABLE FROM CABLE REEL AND SCREW PLUG INTO RECEPTACLE ON (6 x 6) JUNCTION BOX ON MAIN BOOM NOSE.

10. REFER TO OPERATOR'S HANDBOOK FOR PROPER USE OF A28 SWITCH WEIGHT AND RETAINER FLAG.



NOTES:

ADD DIELECTRIC LUBRICANT (e.g. MOGEL 758G) TO INSIDE OF RECEPTACLE, PLUGS, AND ELECTRICAL CONNECTORS TO IMPROVE PROTECTION AGAINST CORROSION AND MALFUNCTION DUE TO CONDENSATION.

A. CLEAN ELECTRICAL CONTACTS AND CONNECTORS OF ALL FOREIGN MATERIAL SUCH AS GREASE, OIL, AND DIRT BEFORE APPLYING LUBRICANT.

B. APPLY A GENEROUS AMOUNT OF LUBRICANT ON THE ELECTRICAL CONTACTS AND CONNECTORS BEFORE MOUNTING.

C. AFTER MATING CONTACTS AND CONNECTORS, CLEAN OFF THE EXCESS SQUEEZED OUT.

ALL DIMENSIONS IN INCHES TO CENTER LINE OF WELD STUDS.

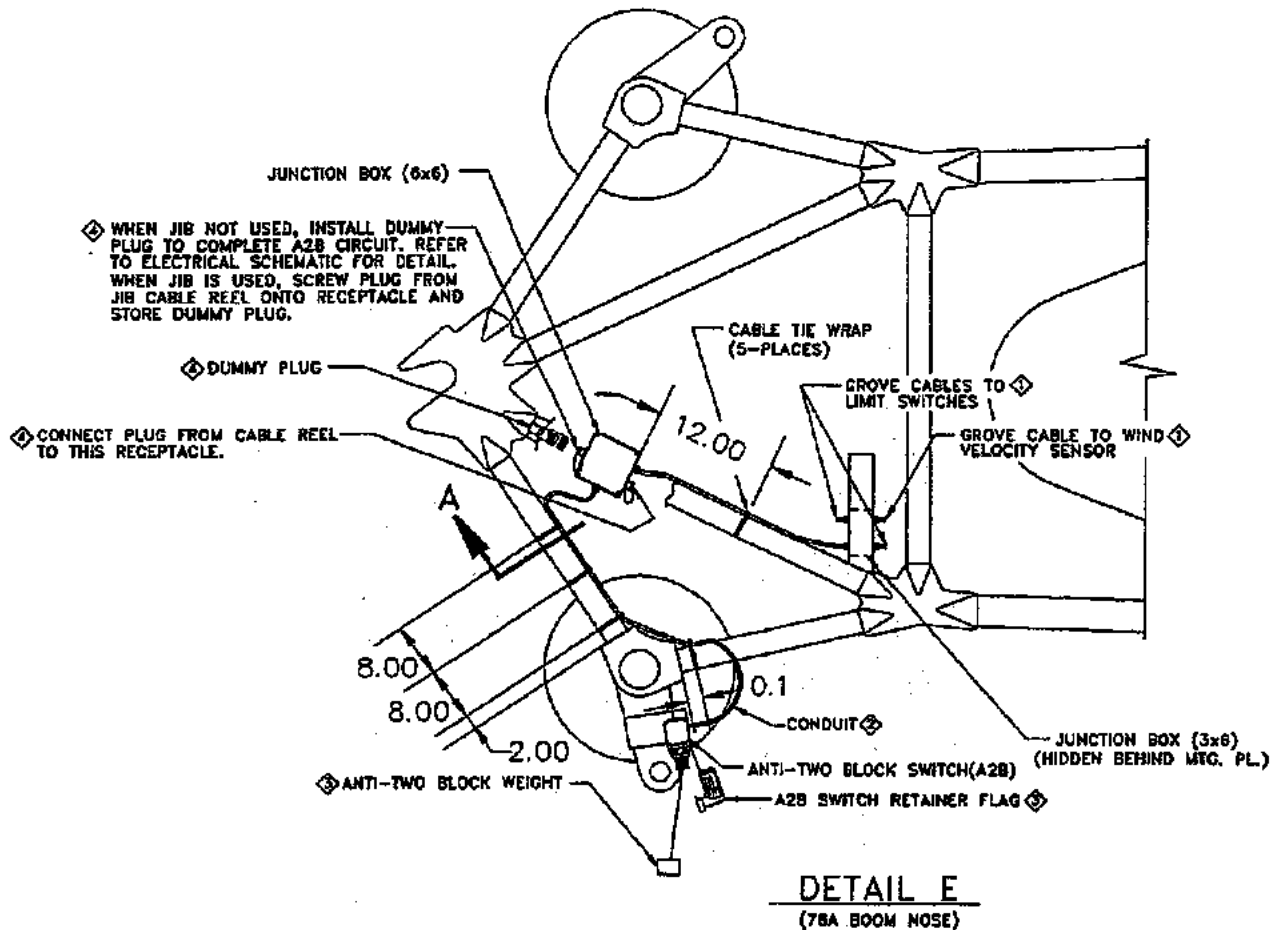
FOR ELECTRICAL CONNECTIONS REFER TO THE WIRING SCHEMATIC IN THIS PARTS AND INSTALLATION MANUAL.

REFER TO 76A BOOM COMPONENT KIT FOR INSTALLATION HARDWARE.

⊕ INITIAL MECHANICAL ADJUSTMENT OF ANGLE SENSOR SHOULD BE ALIGNED TO CENTER LINE OF BOOM SECTION.

⊕ INSTALL QUIST COVERS WHEN PLUG AND RECEPTACLE ARE DISCONNECTED.

SECTION D1-D1



NOTES:

ADD DIELECTRIC LUBRICANT (e.g. NYOGEL 759G) TO INSIDE OF RECEPTACLES, PLUGS, AND ELECTRICAL CONNECTORS, TO IMPROVE PROTECTION AGAINST CORROSION AND MAL-FUNCTION DUE TO CONDENSATION.

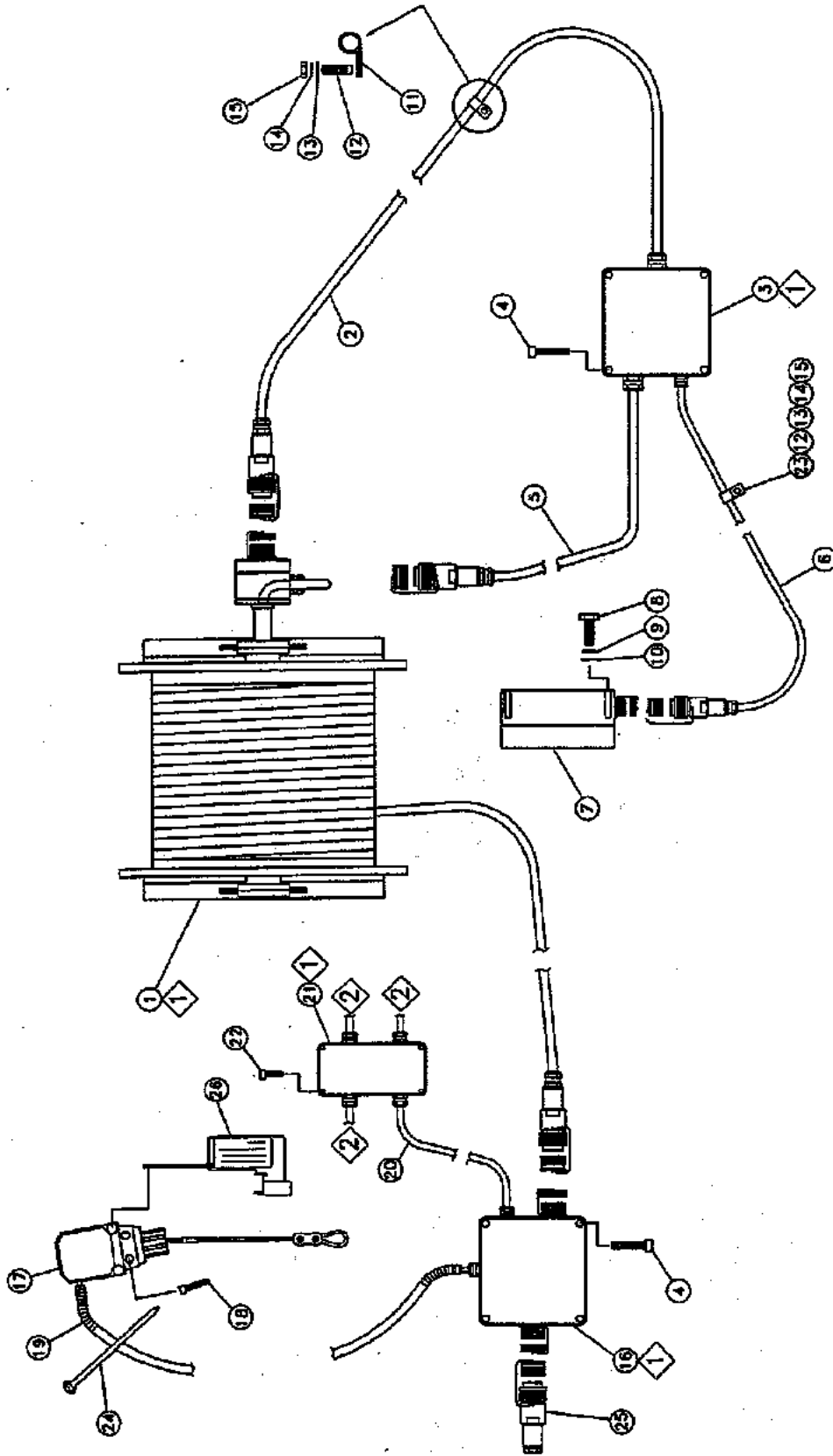
- A. CLEAN ELECTRICAL CONTACTS AND CONNECTORS OF ALL FOREIGN MATERIAL SUCH AS GREASE, OIL, AND DIRT BEFORE APPLYING LUBRICANT.
- B. APPLY A GENEROUS AMOUNT OF LUBRICANT ON THE ELECTRICAL CONTACTS AND CONNECTORS BEFORE MOUNTING.
- C. AFTER MATING CONTACTS AND CONNECTORS, CLEAN OFF THE EXCESS SQUEEZED OUT.

ALL DIMENSIONS IN INCHES TO APPROX. LOCATION OF CABLE TIE WRAPS.

FOR ELECTRICAL CONNECTIONS REFER TO THE WIRING SCHEMATIC IN THIS PARTS AND INSTALLATION MANUAL.

REFER TO 76A BOOM COMPONENT KIT FOR INSTALLATION HARDWARE.

- ① REFER TO GROVE ELECTRICAL SCHEMATIC FOR WIRING DETAIL.
- ② ALLOW AMPLE CABLE AND CONDUIT LOOP TO COMPENSATE FOR ROTATION OF A2B SWITCH.
- ③ REFER TO OPERATOR'S HANDBOOK FOR PROPER USE OF A2B SWITCH WEIGHT AND RETAINER FLAG.
- ④ INSTALL DUST COVERS WHEN PLUG AND RECEPTACLE ARE DISCONNECTED.



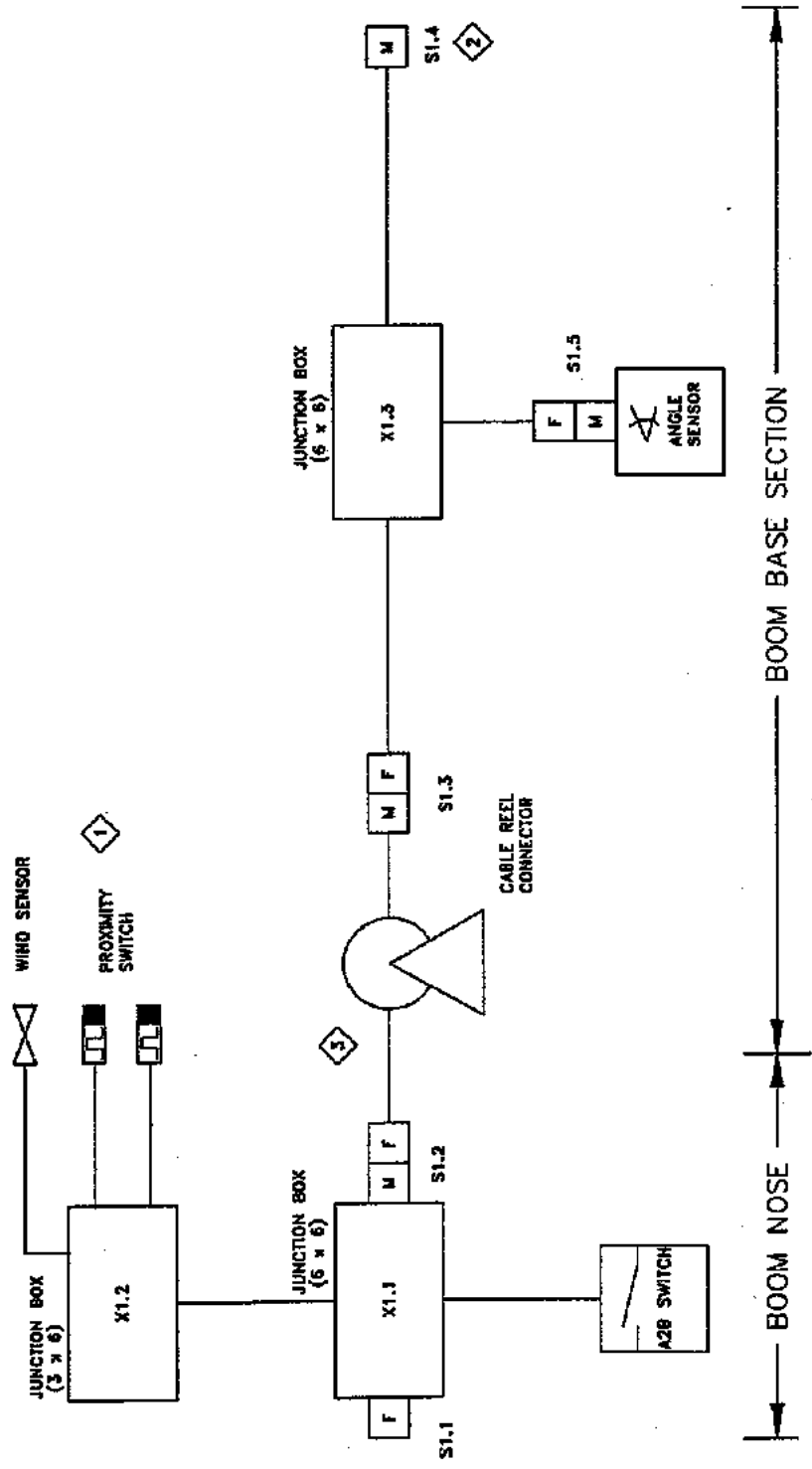
NOTES:

① SEE PART BREAKDOWN DWG. FOR PARTS DETAIL

② REFER TO GROVE ELECTRICAL SCHEMATIC FOR WIRING DETAIL.

| NO. | PART NO. | QTY DESCRIPTION | NO. | PART NO. | QTY DESCRIPTION |
|------|--------------|---|-----|----------|-----------------|
| 1 + | 9-333-102594 | 1 CABLE REEL ASSEMBLY | | | |
| 2 | 9-333-102595 | 1 CABLE ASS'Y. 14 COND. D. S. | | | |
| 3 + | 9-333-102596 | 1 JUNCTION BOX ASSEMBLY (6 X 6) | | | |
| 4 | 9-333-102586 | 8 SCREW | | | |
| 5 | 9-333-102597 | 1 CABLE ASS'Y. 16 COND | | | |
| 6 | 9-333-102598 | 1 CABLE ASS'Y. 4 COND. D. S. | | | |
| 7 | 9-333-101784 | 1 SENSOR, ANGLE | | | |
| 8 | 9-333-102599 | 4 SCREW, 8MM X 20MM | | | |
| 9 | 9-333-101960 | 4 LOCKWASHER 8MM | | | |
| 10 | 9-333-101581 | 4 FLATWASHER 8MM | | | |
| 11 | 9-333-101839 | 7 CLAMP 9/16" | | | |
| 12 | 7-866-142140 | 9 STUD 1/4"-20 X 1/8" | | | |
| 13 | 7-950-140141 | 9 WASHER 1/4" HERRON | | | |
| 14 | 7-950-140050 | 9 LOCKWASHER 1/4" REG | | | |
| 15 | 7-660-140000 | 9 NUT, HEX 1/4"-20 NC - GRD A | | | |
| 16 + | 9-333-102600 | 1 JUNCTION BOX ASSEMBLY | | | |
| 17 | 9-333-102230 | 1 SWITCH, A-2B WITH RETAINER CRIMP | | | |
| 18 | 7-110-151205 | 2 CAPSCREW 5/16" - 18 NC X 1 1/2" | | | |
| 19 | 9-333-102235 | 1 CONDUIT 10 FEET (MUST CUT TO LENGTH) | | | |
| 20 | 9-333-101747 | 1 CABLE, ELEC. 7 X 0.5 D. S. | | | |
| 21 + | 9-333-102601 | 1 JUNCTION BOX ASSEMBLY (3 X 6) | | | |
| 22 | 9-333-102581 | 4 SCREW | | | |
| 23 | 9-333-102584 | 2 CLAMP, CABLE 3/8" | | | |
| 24 | 7-850-000102 | 5 STRAP 1/4" X 12" | | | |
| 25 | 9-333-102602 | 1 CONNECTOR ASSEMBLY | | | |
| 26 + | 9-333-102633 | 1 A2B RETAINER FLAG ASSEMBLY | | | |

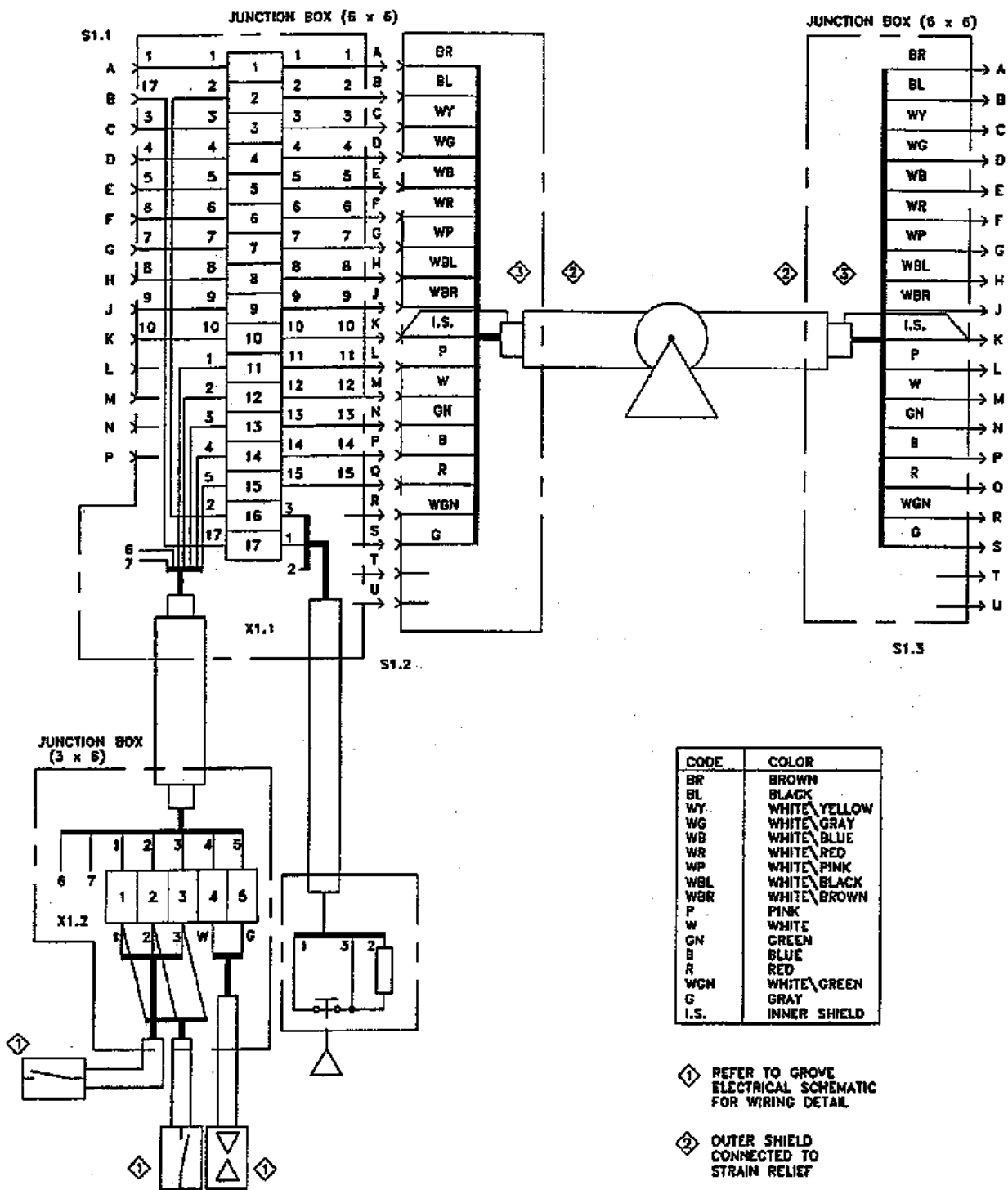
+ SEE FURTHER BREAKDOWN THIS GROUP



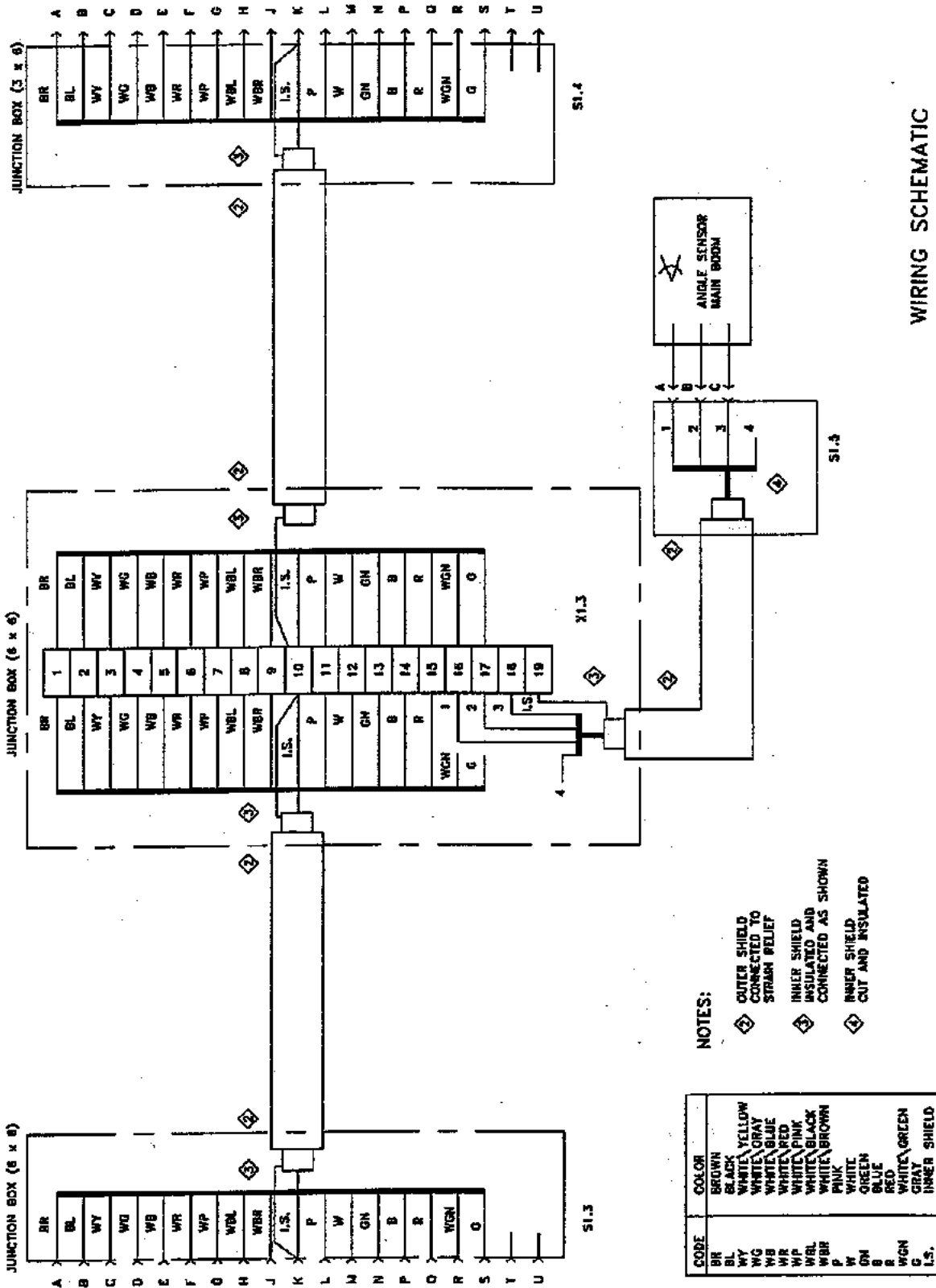
NOTES

- [F] = FEMALE CONNECTOR
- [M] = MALE CONNECTOR
- [1] REFER TO GROVE SCHEMATICS AND DOCUMENTATION
- [2] CONNECTS TO JUNCTION BOX ON SUPERSTRUCTURE
- [3] EXTEND CABLE TO DESIRED LENGTH

CONNECTOR LOCATION



WIRING SCHEMATIC

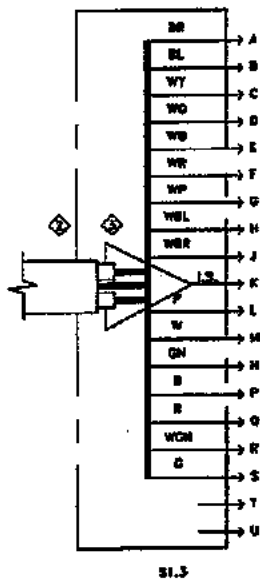
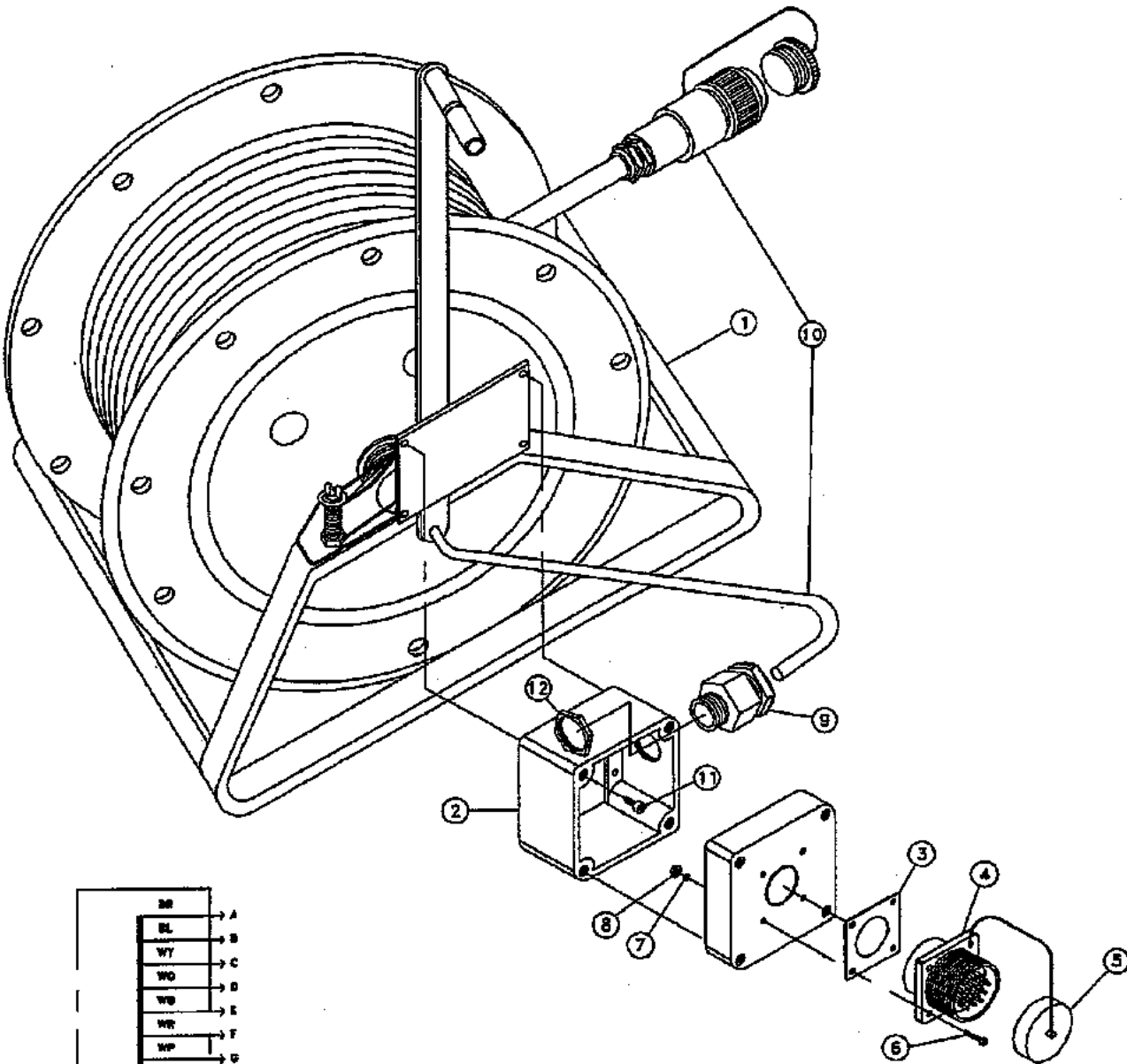


WIRING SCHEMATIC

- NOTES:
- ① OUTER SHIELD CONNECTED TO STRAIN RELIEF
 - ② INNER SHIELD INSULATED AND CONNECTED AS SHOWN
 - ③ INNER SHIELD CUT AND INSULATED

| CODE | COLOR |
|------|--------------|
| BR | BROWN |
| BL | BLACK |
| WY | WHITE/YELLOW |
| WG | WHITE/GRAY |
| WB | WHITE/BLUE |
| WR | WHITE/RED |
| WP | WHITE/PINK |
| WBL | WHITE/BLACK |
| WBR | WHITE/BROWN |
| P | PINK |
| W | WHITE |
| GN | GREEN |
| B | BLUE |
| R | RED |
| WGN | WHITE/GREEN |
| G | GRAY |
| L.S. | INNER SHIELD |

THIS PAGE INTENTIONALLY LEFT BLANK.



WIRING DETAIL

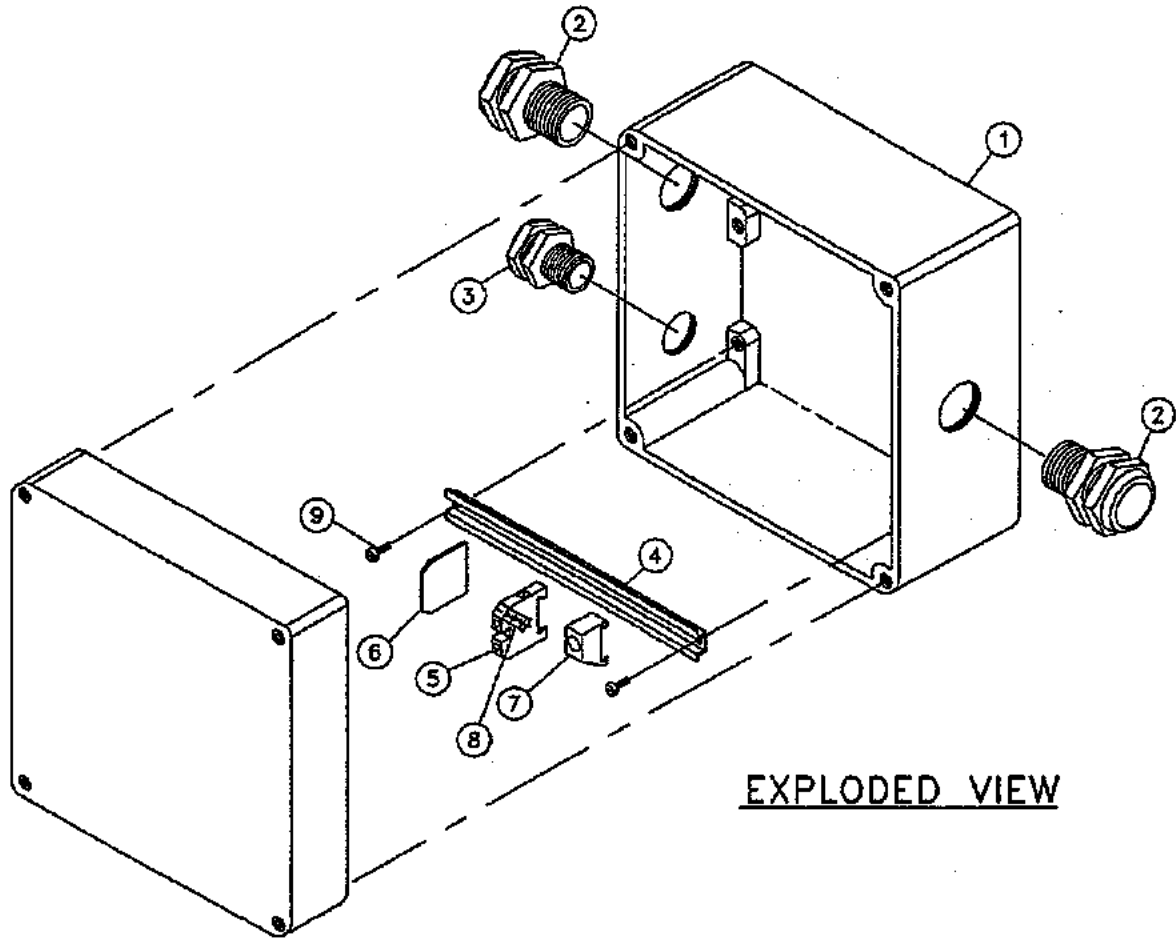
NOTES:

- ② OUTER SHIELD CONNECTED TO STRAIN RELIEF INSERT.
- ③ INNER SHIELD INSULATED AND CONNECTED AS SHOWN.

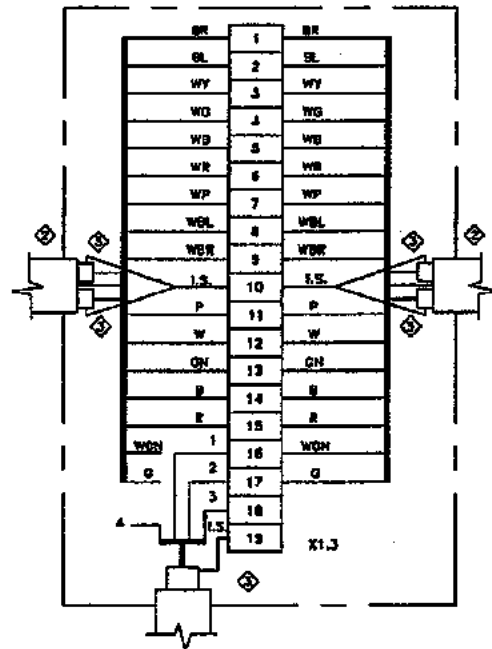
CABLE REEL ASSEMBLY

GROVE

| NO. | PART NO. | QTY DESCRIPTION | NO. | PART NO. | QTY DESCRIPTION |
|-----|--------------|--|-----|----------|-----------------|
| | 9-333-102594 | COMPLETE ASSY | | | |
| 1 | 9-333-102108 | 1 CABLE REEL ASSEMBLY | | | |
| 2 | 9-333-102591 | 1 BOX, HANDED | | | |
| 3 | 9-333-102660 | 1 GASKET | | | |
| 4 | 9-333-102645 | 1 CONNECTOR, CANNON, 19-PIN MALE RECEPTACLE | | | |
| 5 | 9-333-102268 | 1 CAP, DUST | | | |
| 6 | 9-333-102669 | 4 SCREW #4 | | | |
| 7 | 9-333-102266 | 4 LOCKWASHER #4 | | | |
| 8 | 9-333-102480 | 4 NUT #4 | | | |
| 9 | 9-333-101735 | 1 STRAIN RELIEF GREY - WHITE INSERT PG13.5 | | | |
| 10 | 9-333-102603 | 1 CABLE ASSEMBLY | | | |
| 11 | 9-333-102604 | 4 SCREW | | | |
| 12 | 9-333-102605 | 1 NUT | | | |



EXPLODED VIEW



WIRING DETAIL

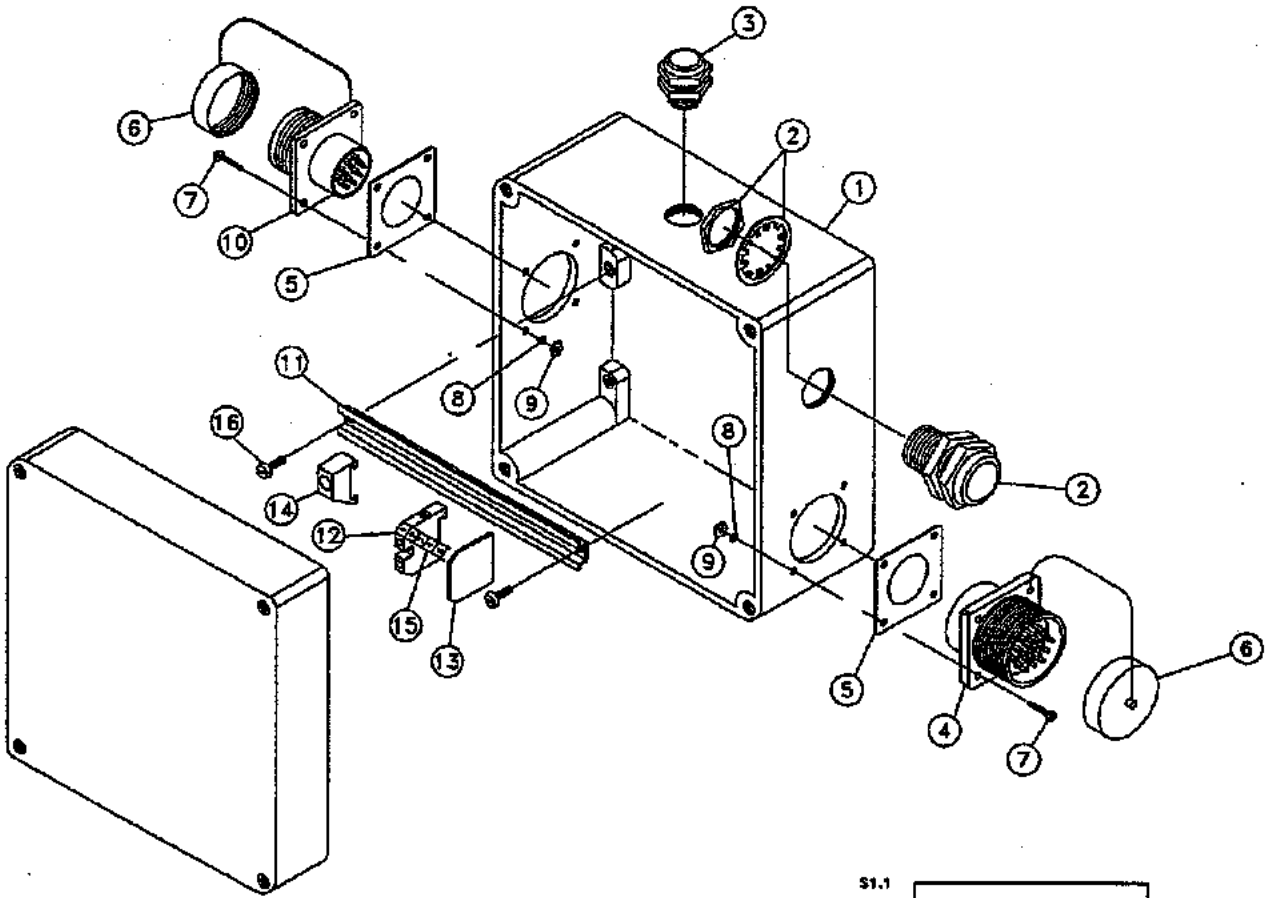
NOTES:

- ② OUTER SHIELD CONNECTED TO STRAIN RELIEF
- ③ INNER SHIELD INSULATED AND CONNECTED AS SHOWN

JUNCTION BOX ASSEMBLY (6 X 6)

GROVE

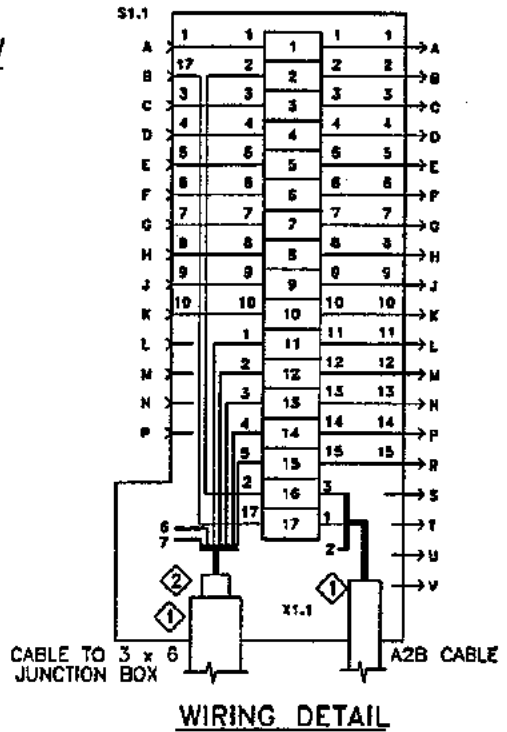
| NO. | PART NO. | QTY | DESCRIPTION | NO. | PART NO. | QTY | DESCRIPTION |
|-----|--------------|-----|---|-----|----------|-----|-------------|
| | 9-333-102596 | | COMPLETE ASSY | | | | |
| 1 | 9-333-102345 | 1 | HOUSING | | | | |
| 2 | 9-333-101735 | 2 | STRAIN RELIEF GREY - WHITE INSERT PG13.5 | | | | |
| 3 | 9-333-102672 | 1 | STRAIN RELIEF | | | | |
| 4 | 9-333-102673 | 1 | MOUNTING RAIL, TERMINAL STRIP | | | | |
| 5 | 9-333-102663 | 19 | BLOCK, TERMINAL STRIP | | | | |
| 6 | 9-333-102664 | 1 | END PLATE, TERMINAL STRIP | | | | |
| 7 | 9-333-102665 | 1 | END BRACKET, TERMINAL STRIP | | | | |
| 8 | 9-333-102666 | 1 | TAGS, TERMINAL STRIP | | | | |
| 9 | 9-333-002671 | 2 | SCREW, 6MM X 8MM | | | | |



EXPLODED VIEW

NOTES:

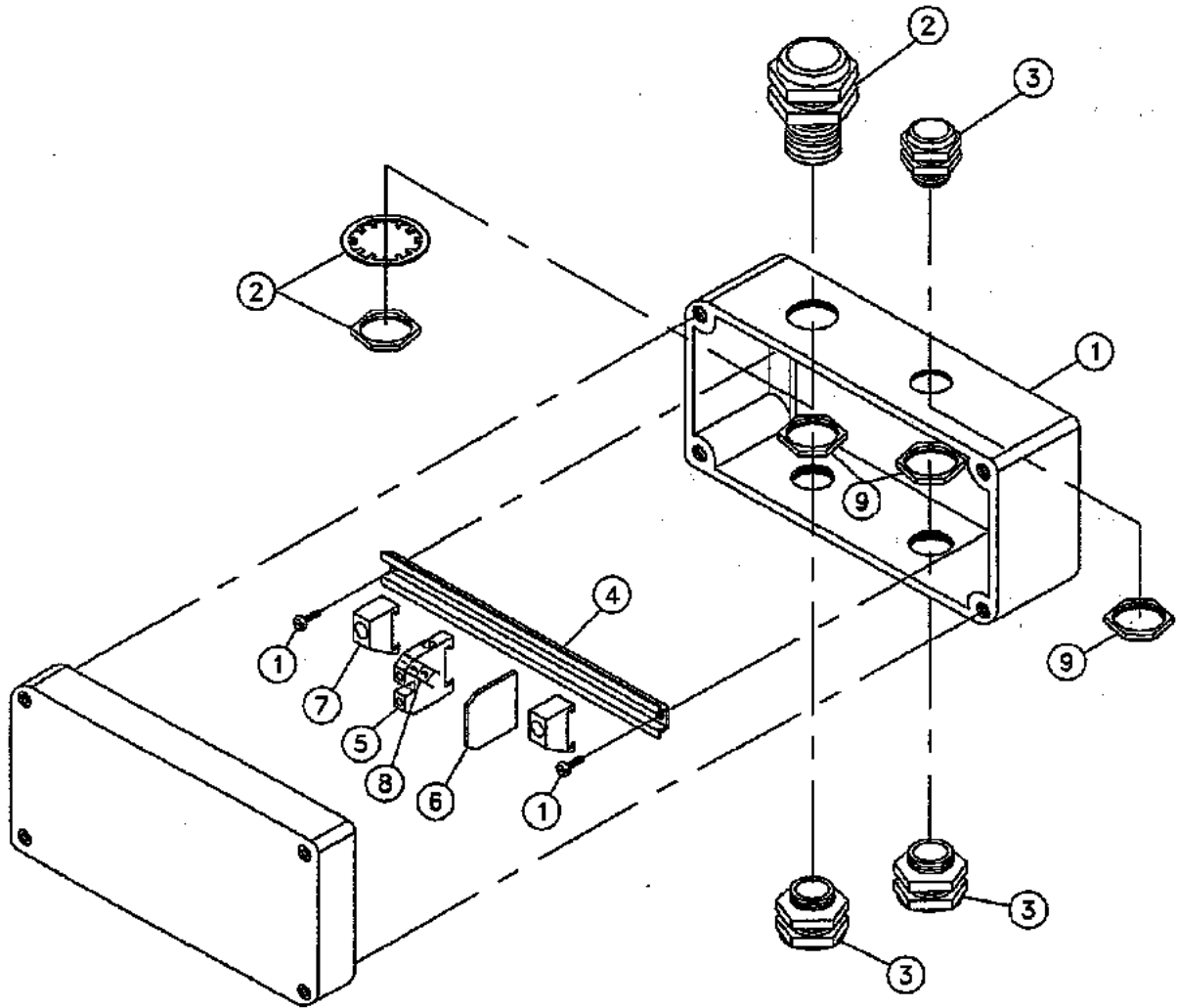
- ① OUTER SHIELD CONNECTED TO STRAIN RELIEF
- ② INNER SHIELD TO BE CUT AND INSULATED



JUNCTION BOX ASSEMBLY (6 X 6)

GROVE

| NO. | PART NO. | QTY | DESCRIPTION | NO. | PART NO. | QTY | DESCRIPTION |
|-----|--------------|-----|--|-----|----------|-----|-------------|
| | 9-333-102600 | | COMPLETE ASSY | | | | |
| 1 | 9-333-102345 | 1 | HOUSING | | | | |
| 2 | 9-333-101579 | 1 | STRAIN RELIEF PG13.5 | | | | |
| 3 | 9-333-102674 | 1 | STRAIN RELIEF, PG9 | | | | |
| 4 | 9-333-102645 | 1 | CONNECTOR, CANNON, 19-PIN MALE RECEPTACLE | | | | |
| 5 | 9-333-102668 | 2 | GASKET | | | | |
| 6 | 9-333-102268 | 2 | CAP, DUST | | | | |
| 7 | 9-333-102669 | 8 | SCREW M4 | | | | |
| 8 | 9-333-102266 | 8 | LOCKWASHER M4 | | | | |
| 9 | 9-333-102480 | 8 | NUT M4 | | | | |
| 10 | 9-333-102675 | 1 | CANNON CONNECTOR | | | | |
| 11 | 9-333-102670 | 1 | MOUNTING RAIL, TERMINAL STRIP | | | | |
| 12 | 9-333-102663 | 17 | BLOCK, TERMINAL STRIP | | | | |
| 13 | 9-333-102664 | 1 | END PLATE, TERMINAL STRIP | | | | |
| 14 | 9-333-102665 | 1 | END BRACKET, TERMINAL STRIP | | | | |
| 15 | 9-333-102666 | 1 | TAGS, TERMINAL STRIP | | | | |
| 16 | 9-333-102671 | 2 | SCREW, 6MM X 8MM | | | | |

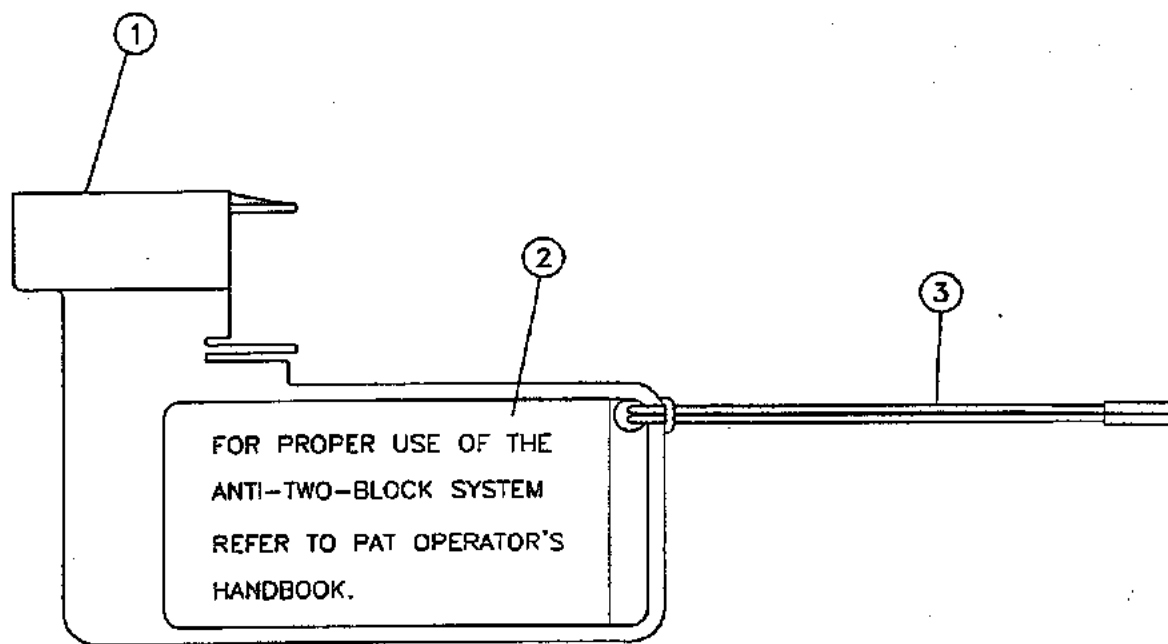


EXPLODED VIEW

JUNCTION BOX ASSEMBLY (3 X 6)

GROVE

| NO. | PART NO. | QTY DESCRIPTION | NO. | PART NO. | QTY DESCRIPTION |
|-----|--------------|------------------------------------|-----|----------|-----------------|
| | 9-333-102601 | COMPLETE ASSY | | | |
| 1 | 9-333-102592 | 1 BOX, HAMMOND | | | |
| 2 | 9-333-101579 | 1 STRAIN RELIEF PG13.5 | | | |
| 3 | 9-333-102674 | 3 STRAIN RELIEF, PG4 | | | |
| 4 | 9-333-102667 | 1 MOUNTING RAIL, TERMINAL STRIP | | | |
| 5 | 9-333-102663 | 5 BLOCK, TERMINAL STRIP | | | |
| 6 | 9-333-102664 | 1 END PLATE, TERMINAL STRIP | | | |
| 7 | 9-333-102665 | 2 END BRACKET, TERMINAL STRIP | | | |
| 8 | 9-333-102666 | 1 TAGS, TERMINAL STRIP | | | |
| 9 | 9-333-101984 | 3 LOCKOUT PG4 | | | |

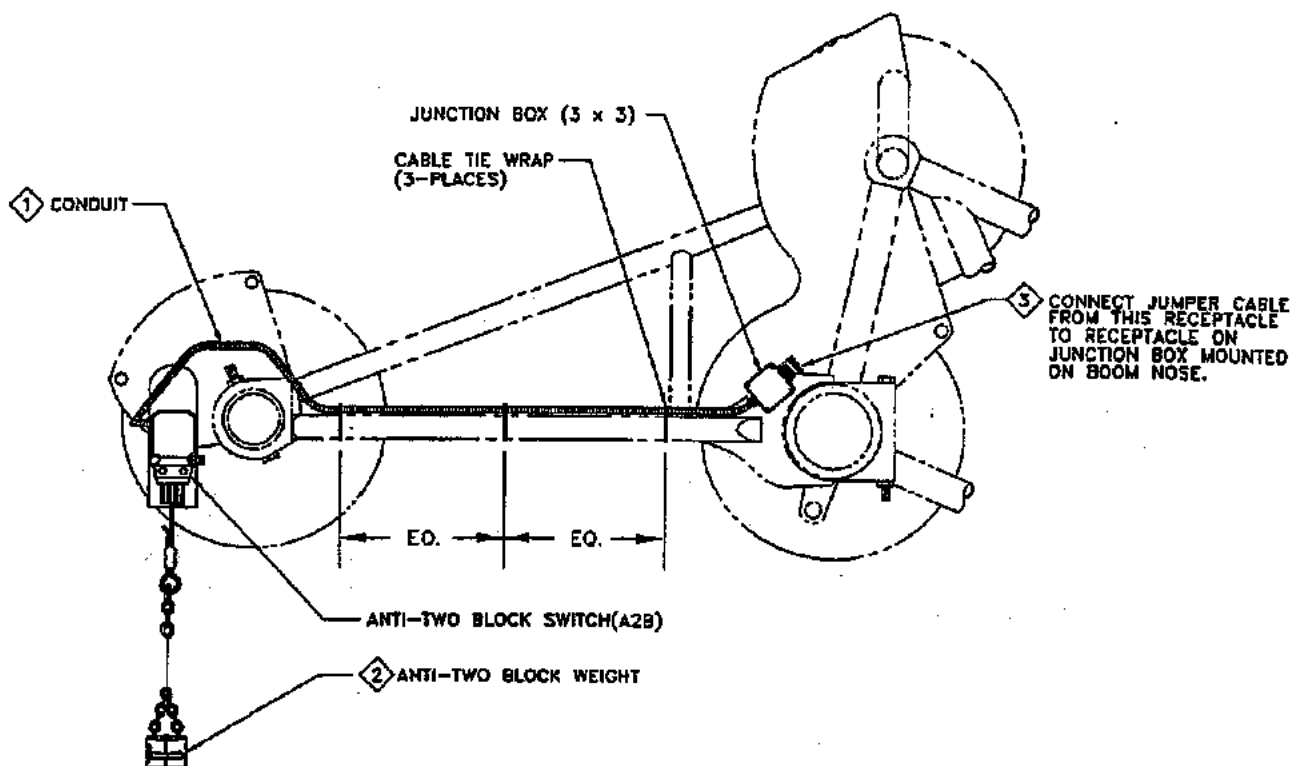


A2B RETAINER FLAG ASSEMBLY

GROUE

| NO. | PART NO. | QTY | DESCRIPTION | NO. | PART NO. | QTY | DESCRIPTION |
|-----|--------------|-----|----------------|-----|----------|-----|-------------|
| | 9-333-102633 | | COMPLETE ASSY | | | | |
| 1 | 9-333-102373 | 1 | FLAG, RETAINER | | | | |
| 2 | 9-333-102618 | 1 | DECAL, A2B | | | | |
| 3 | 9-333-102232 | 1 | LANYARD | | | | |

THIS PAGE INTENTIONALLY LEFT BLANK.



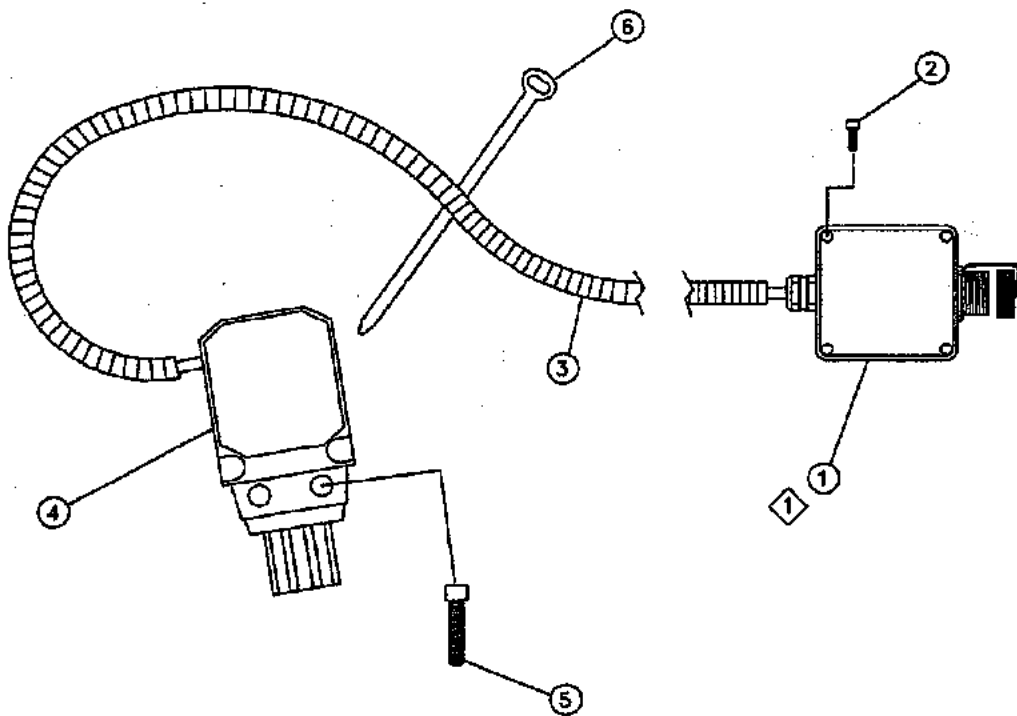
NOTES:

ADD DIELECTRIC LUBRICANT (e.g. NYOGEL 758G) TO INSIDE OF RECEPTACLES, PLUGS, AND ELECTRICAL CONNECTORS, TO IMPROVE PROTECTION AGAINST CORROSION AND MALFUNCTION DUE TO CONDENSATION.

- A. CLEAN ELECTRICAL CONTACTS AND CONNECTORS OF ALL FOREIGN MATERIAL SUCH AS GREASE, OIL, AND DIRT BEFORE APPLYING LUBRICANT.
- B. APPLY A GENEROUS AMOUNT OF LUBRICANT ON THE ELECTRICAL CONTACTS AND CONNECTORS BEFORE MOUNTING.
- C. AFTER MATING CONTACTS AND CONNECTORS, CLEAN OFF THE EXCESS SQUEEZED OUT.

- 1 CUT A2B SWITCH CABLE AND CONDUIT TO DESIRED LENGTH.
- 2 REFER TO OPERATOR'S HANDBOOK FOR PROPER USE OF THE A2B SWITCH WEIGHT.
- 3 INSTALL DUST COVERS WHEN PLUG AND RECEPTACLE ARE DISCONNECTED.

AUXILIARY BOOM NOSE INSTALLATION



NOTES:

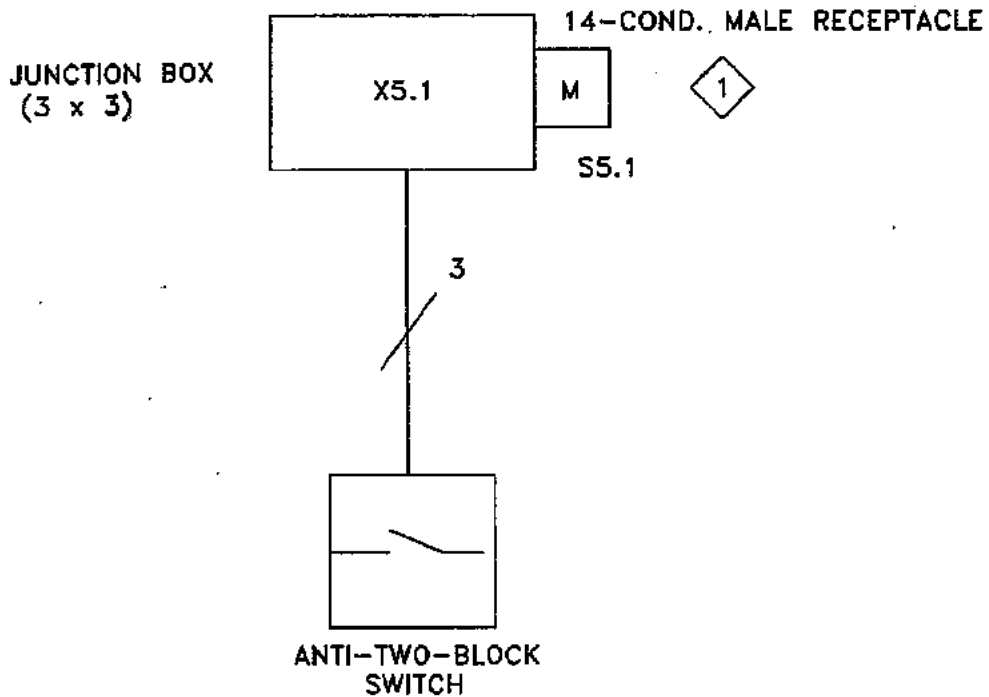
① SEE PART BREAKDOWN DWG.
FOR PARTS DETAIL

AUX. BOOM NOSE INSTALLATION

GROVE

| NO. | PART NO. | QTY | DESCRIPTION | NO. | PART NO. | QTY | DESCRIPTION |
|-----|--------------|-----|---|-----|----------|-----|-------------|
| 1 | 9-333-102606 | 1 | JUNCTION BOX ASSEMBLY (3 X 3) | | | | |
| 2 | 9-333-102581 | 4 | SCREEN | | | | |
| 3 | 9-333-102235 | 1 | CONDUIT 10 FEET (MUST CUT TO LENGTH) | | | | |
| 4 | 9-333-102238 | 1 | SWITCH, A2B W/O CRIMP | | | | |
| 5 | 7-110-151205 | 2 | CAPSCREEN 5/16" - 18 NC X 1 1/2" | | | | |
| 6 | 7-850-000102 | 3 | STRAP 1/4" X 12" | | | | |

+ SEE FURTHER BREAKDOWNS THIS GROUP



NOTES



= FEMALE CONNECTOR



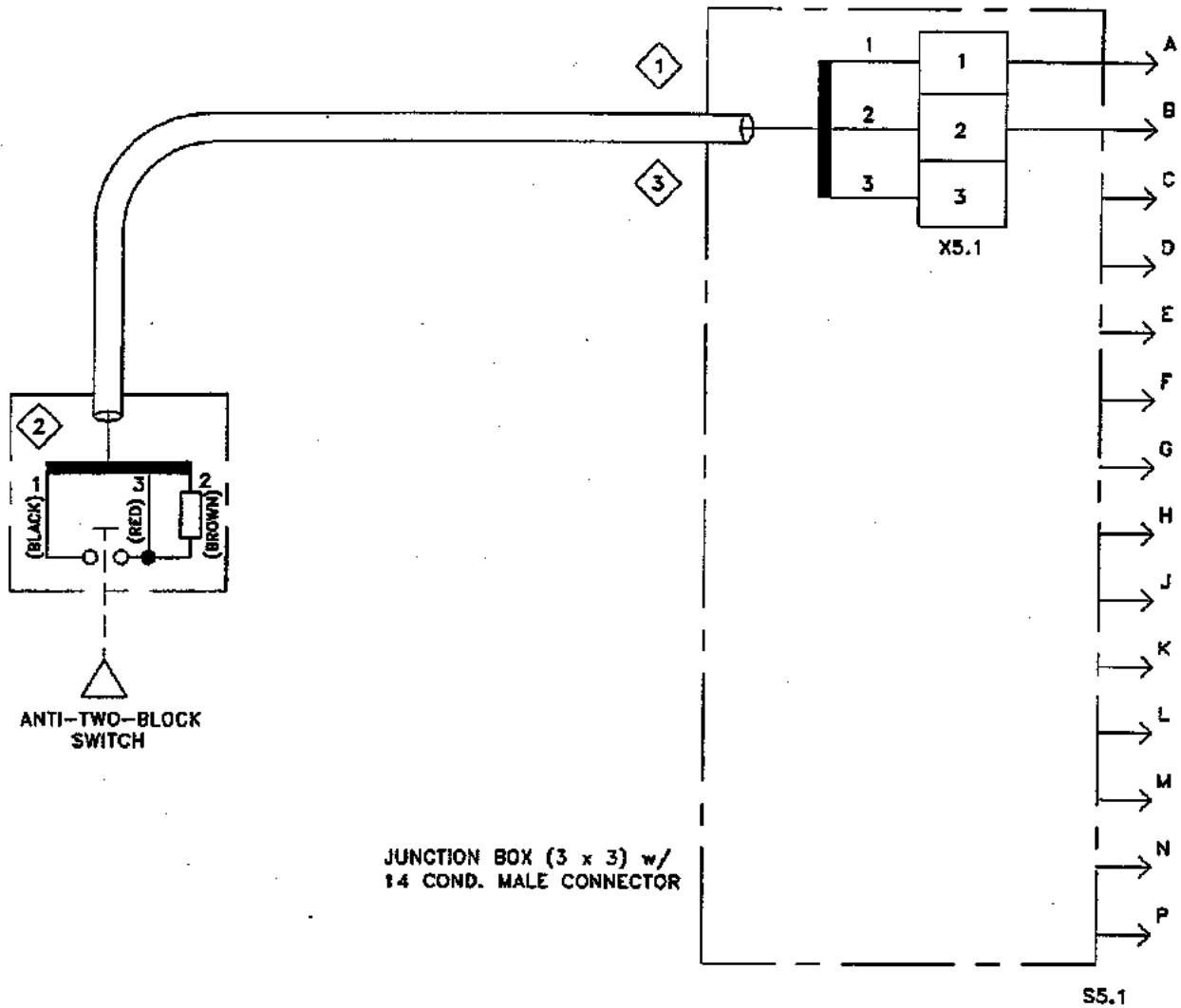
= MALE CONNECTOR



USE JUMPER CABLE TO
CONNECT CIRCUIT TO THE
MAIN BOOM NOSE JUNCTION BOX

SS = SINGLE SHIELDED CABLE
DS = DOUBLE SHIELDED CABLE

CONNECTOR LOCATION

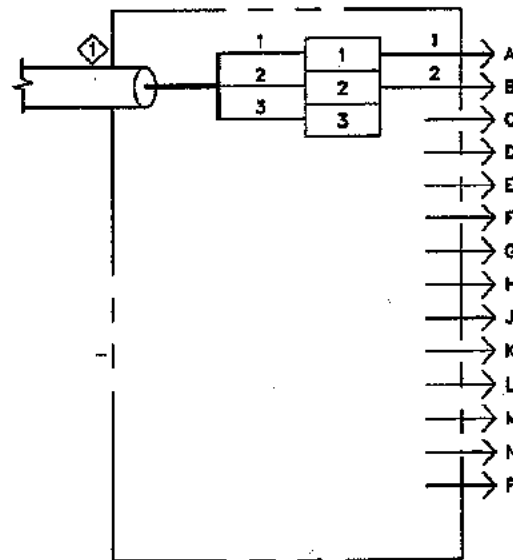
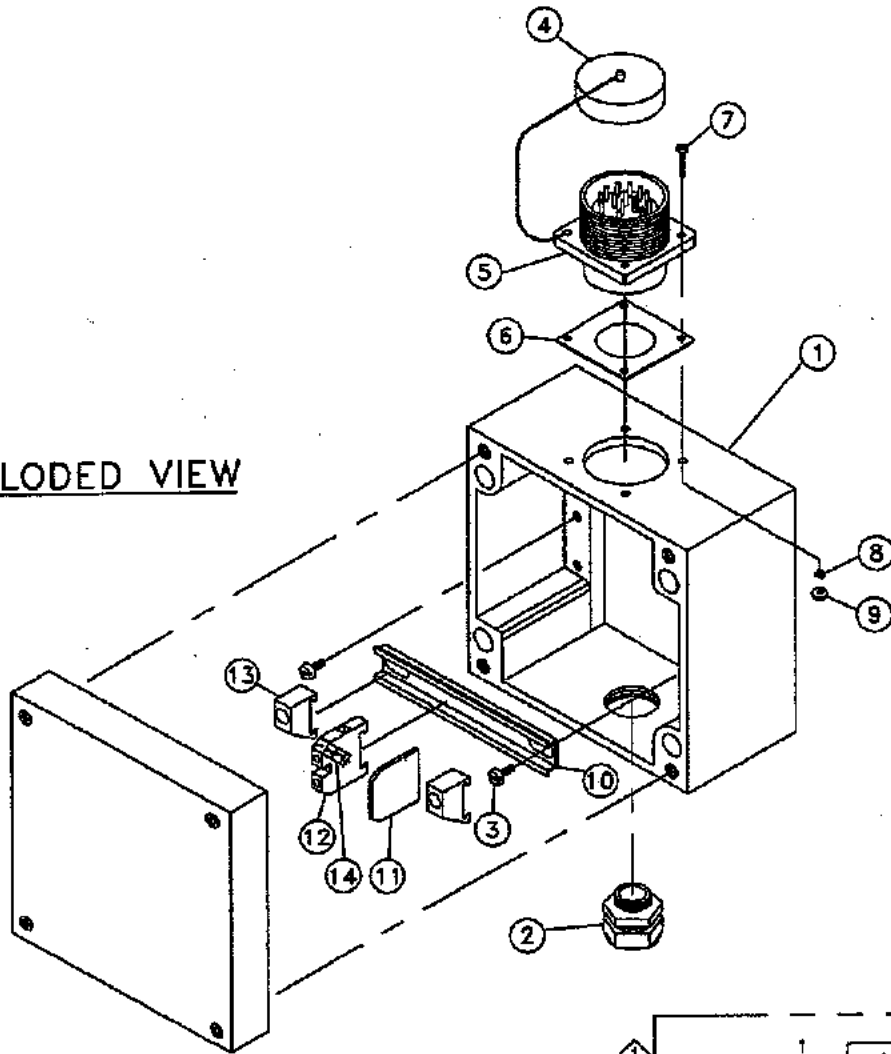


NOTES

- 1 OUTER SHIELD CONNECTED TO STRAIN RELIEF.
- 2 POTTED - NO ACCESS TO SWITCH ELEMENT - PREWIRED
- 3 USE JUMPER CABLE TO CONNECT CIRCUIT TO THE MAIN BOOM NOSE JUNCTION BOX

WIRING SCHEMATIC

EXPLODED VIEW



WIRING DETAIL

NOTES:

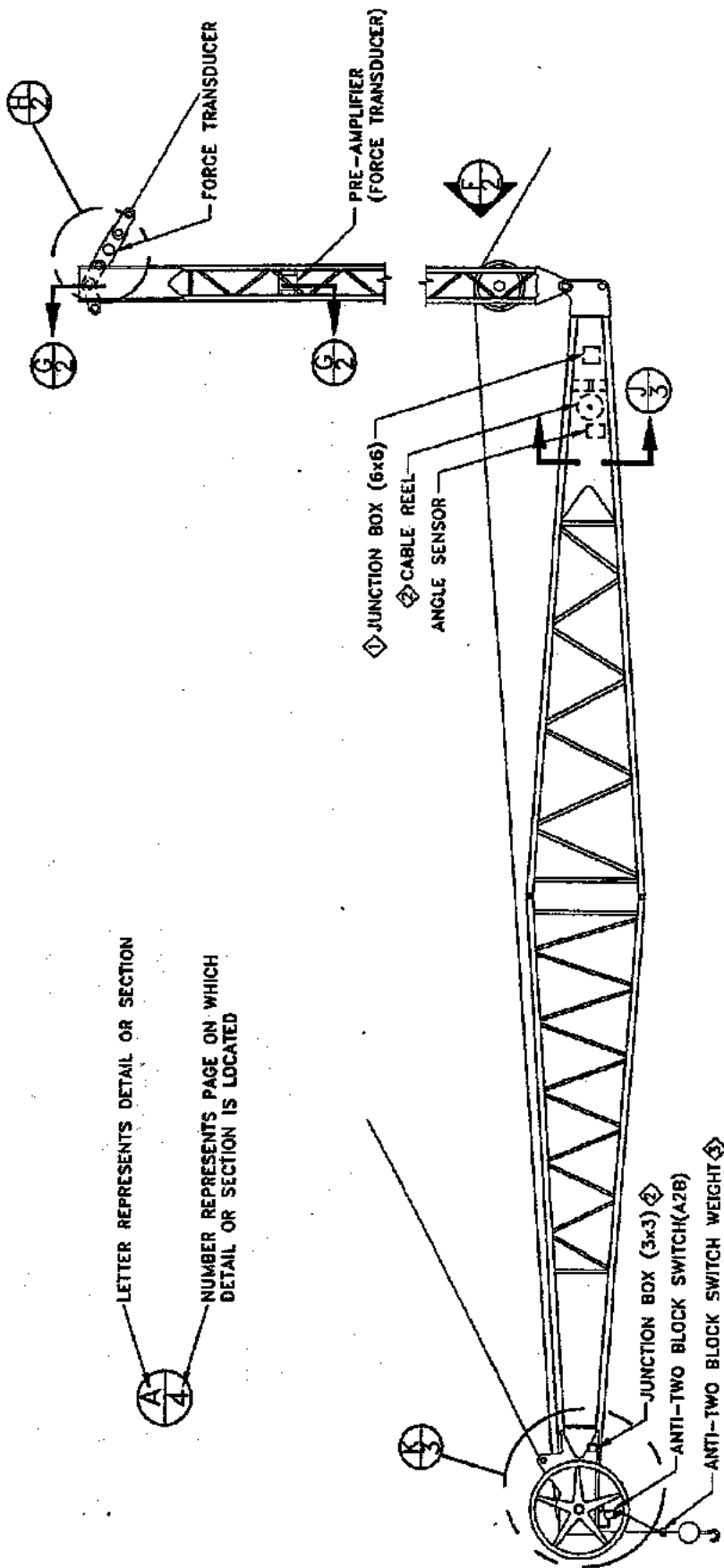
◇ OUTER SHIELD CONNECTED TO STRAIN RELIEF CONNECTOR

JUNCTION BOX ASSEMBLY (3 X 3)

GROUE

| NO. | PART NO. | QTY | DESCRIPTION | NO. | PART NO. | QTY | DESCRIPTION |
|-----|--------------|-----|----------------------------------|-----|----------|-----|-------------|
| | 9-333-102606 | | COMPLETE ASSY | | | | |
| 1 | 9-333-102591 | 1 | BOX, HAMMOND | | | | |
| 2 | 9-333-102674 | 1 | STRAIN RELIEF, PC9 | | | | |
| 3 | 9-333-102671 | 1 | SCREW, 6MM X 6MM | | | | |
| 4 | 9-333-102268 | 1 | CAP, DUST | | | | |
| 5 | 9-333-102676 | 1 | CARBON CONNECTOR | | | | |
| 6 | 9-333-102668 | 1 | GASKET | | | | |
| 7 | 9-333-102669 | 4 | SCREW M4 | | | | |
| 8 | 9-333-102286 | 4 | LOCKWASHER M4 | | | | |
| 9 | 9-333-102480 | 4 | NUT M4 | | | | |
| 10 | 9-333-102677 | 1 | MOUNTING RAIL, TERMINAL STRIP | | | | |
| 11 | 9-333-102663 | 1 | BLOCK, TERMINAL STRIP | | | | |
| 12 | 9-333-102664 | 3 | END PLATE, TERMINAL STRIP | | | | |
| 13 | 9-333-102665 | 2 | END BRACKET, TERMINAL STRIP | | | | |
| 14 | 9-333-102666 | 1 | TAGS, TERMINAL STRIP | | | | |

THIS PAGE INTENTIONALLY LEFT BLANK.



LETTER REPRESENTS DETAIL OR SECTION

NUMBER REPRESENTS PAGE ON WHICH
DETAIL OR SECTION IS LOCATED

46A LUFFING JIB & MAST

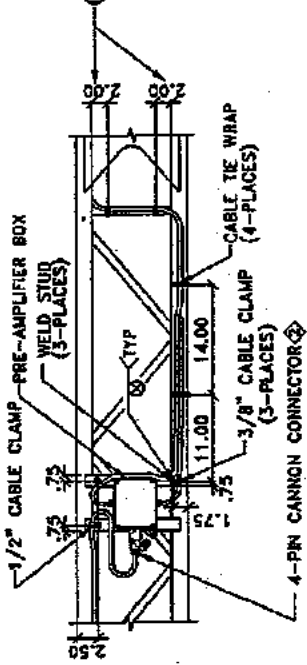
NOTES:

ADD DIELECTRIC LUBRICANT (e.g. NYOGEL 759G) TO INSIDE OF RECEPTACLES, PLUGS, AND ELECTRICAL CONNECTORS, TO IMPROVE PROTECTION AGAINST CORROSION AND MALFUNCTION DUE TO CONDENSATION.

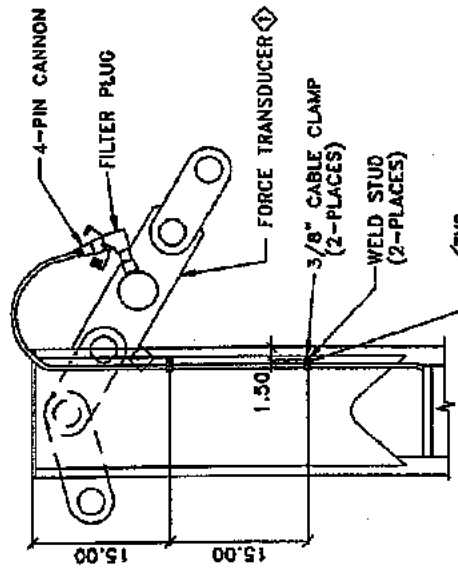
- A. CLEAN ELECTRICAL CONTACTS AND CONNECTORS OF ALL FOREIGN MATERIAL SUCH AS GREASE, OIL, AND DIRT BEFORE APPLYING LUBRICANT.
- B. APPLY A GENEROUS AMOUNT OF LUBRICANT ON THE ELECTRICAL CONTACTS AND CONNECTORS BEFORE MOUNTING.
- C. AFTER MATING CONTACTS AND CONNECTORS, CLEAN OFF THE EXCESS SQUEEZED OUT.

FOR ELECTRICAL CONNECTIONS REFER TO THE WIRING SCHEMATIC IN THIS PARTS AND INSTALLATION MANUAL.

- ◇ TO CONNECT 46A JIB BASE TO 76A BOOM NOSE; INSTALL JUMPER CABLE FROM RECEPTACLE ON (6 x 6) JUNCTION BOX ON 46A JIB BASE, TO RECEPTACLE ON (6 x 6) JUNCTION BOX ON 76A BOOM NOSE.
- ◇ TO CONNECT CABLE REEL TO JIB BOOM NOSE; UNROLL CABLE FROM CABLE REEL AND SCREW PLUG INTO RECEPTACLE ON (3 x 3) JUNCTION BOX ON JIB NOSE.
- ◇ REFER TO OPERATOR'S HANDBOOK FOR PROPER USE OF A2B SWITCH WEIGHT.



SECTION G1
(46A LUFFING JIB MAST)



DETAIL H
(TYP. THIS SIDE & OPPOSITE SIDE)
(46A LUFFING JIB MAST)

NOTES:

ADD DIELECTRIC LUBRICANT (e.g. NYOGEL 7586) TO INSIDE OF RECEPTACLES, PLUGS, AND ELECTRICAL CONNECTORS TO IMPROVE PROTECTION AGAINST CORROSION AND MALFUNCTION DUE TO CONDENSATION.

- A. CLEAN ELECTRICAL CONTACTS AND CONNECTORS OF ALL FOREIGN MATERIAL SUCH AS GREASE, OIL, AND DIRT BEFORE APPLYING LUBRICANT.
- B. APPLY A GENEROUS AMOUNT OF LUBRICANT ON THE ELECTRICAL CONTACTS AND CONNECTORS BEFORE MOUNTING.
- C. AFTER MATING CONTACTS AND CONNECTORS, CLEAN OFF THE EXCESS SQUEEZED OUT.

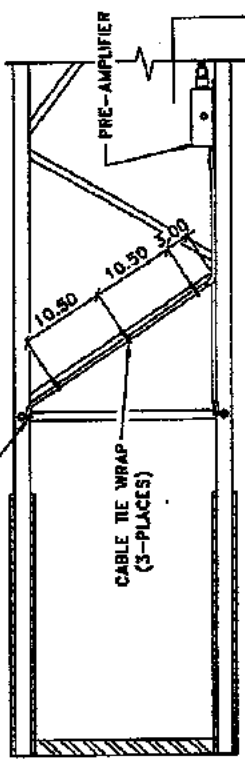
ALL DIMENSIONS IN INCHES TO CENTER LINE OF WELD STUDS, OR APPROX. LOCATION OF CABLE TIE WRAPS.

FOR ELECTRICAL CONNECTIONS REFER TO THE WIRING SCHEMATIC IN THIS PARTS AND INSTALLATION MANUAL.

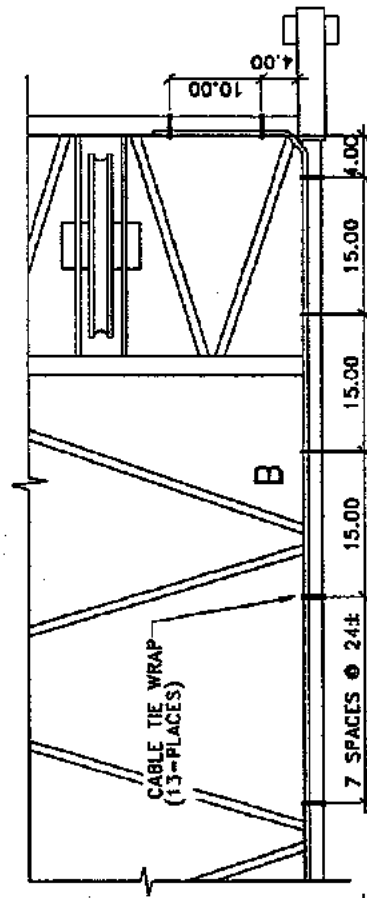
REFER TO 48A BOOM COMPONENT KIT FOR INSTALLATION HARDWARE.

- ◇ ALLOW AMPLE CABLE LOOP TO COVER ALL ALL MAST ANGLES.
- ◇ INSTALL DUST COVERS WHEN PLUG AND RECEPTACLE ARE DISCONNECTED.

TWO CABLE TIE WRAPS
(LOCATED PER THESE DIMENSIONS)

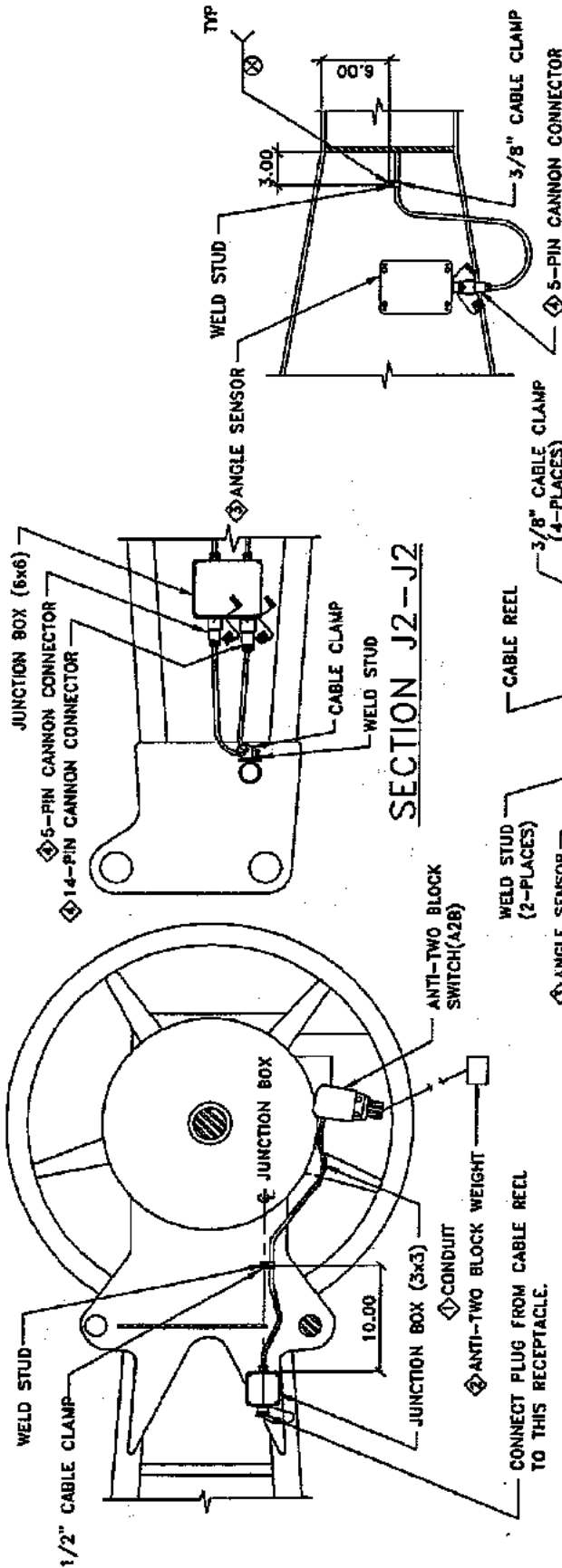


SECTION G-G
(46A LUFFING JIB MAST)



DETAIL F
(46A LUFFING JIB MAST)

LMI COMPONENT INSTALLATION



DETAIL K

(SECTION THRU 46A LUFFING JIB NOSE)

NOTES:

- A. ADD DIELECTRIC LUBRICANT (e.g. HYGEL 7396) TO INSIDE OF RECEPTACLE PLUGS, AND ELECTRICAL CONNECTORS, TO IMPROVE PROTECTION AGAINST CORROSION AND MALFUNCTION DUE TO CONDENSATION.
- B. CLEAN ELECTRICAL CONTACTS AND CONNECTORS OF ALL FOREIGN MATERIAL SUCH AS GREASE, OIL, AND DIRT BEFORE APPLYING LUBRICANT.
- C. APPLY A GENEROUS AMOUNT OF LUBRICANT ON THE ELECTRICAL CONTACTS AND CONNECTORS BEFORE MOUNTING.

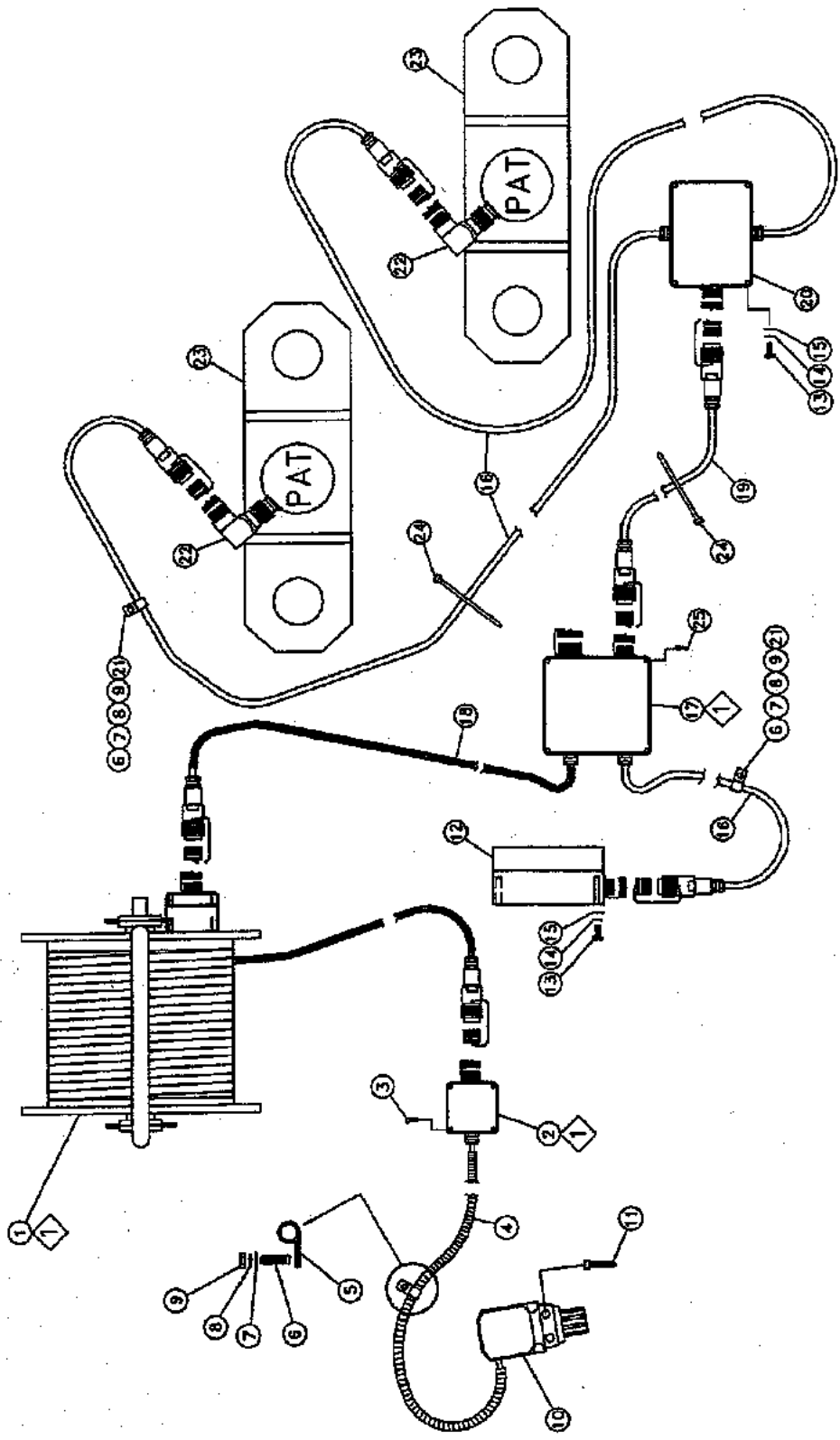
ALL DIMENSIONS IN INCHES TO CENTER LINE OF WELD STUDS.
FOR ELECTRICAL CONNECTIONS REFER TO THE WIRING SCHEMATIC IN THIS PARTS AND INSTALLATION MANUAL.

REFER TO 46A BOOM COMPONENT KIT FOR INSTALLATION HARDWARE.

- ◇ ALLOW ANGLE CABLE AND CONDUIT LOOP TO COMPENSATE FOR ROTATION OF A2B SWITCH.
- ◇ REFER TO OPERATOR'S HANDBOOK FOR PROPER USE OF A2B SWITCH WEIGHT.
- ◇ INITIAL MECHANICAL ADJUSTMENT OF ANGLE SENSOR SHOULD BE ALIGNED TO CENTER LINE OF BOOM SECTION.
- ◇ INSTALL DUST COVERS WHEN PLUG AND RECEPTACLE ARE DISCONNECTED.

VIEW J
(46A LUFFING JIB BASE)

DISCONNECT PLUG FROM RECEPTACLE PRIOR TO TURNING CABLE REEL, RECONNECT PRIOR TO OPERATION.



NOTES:

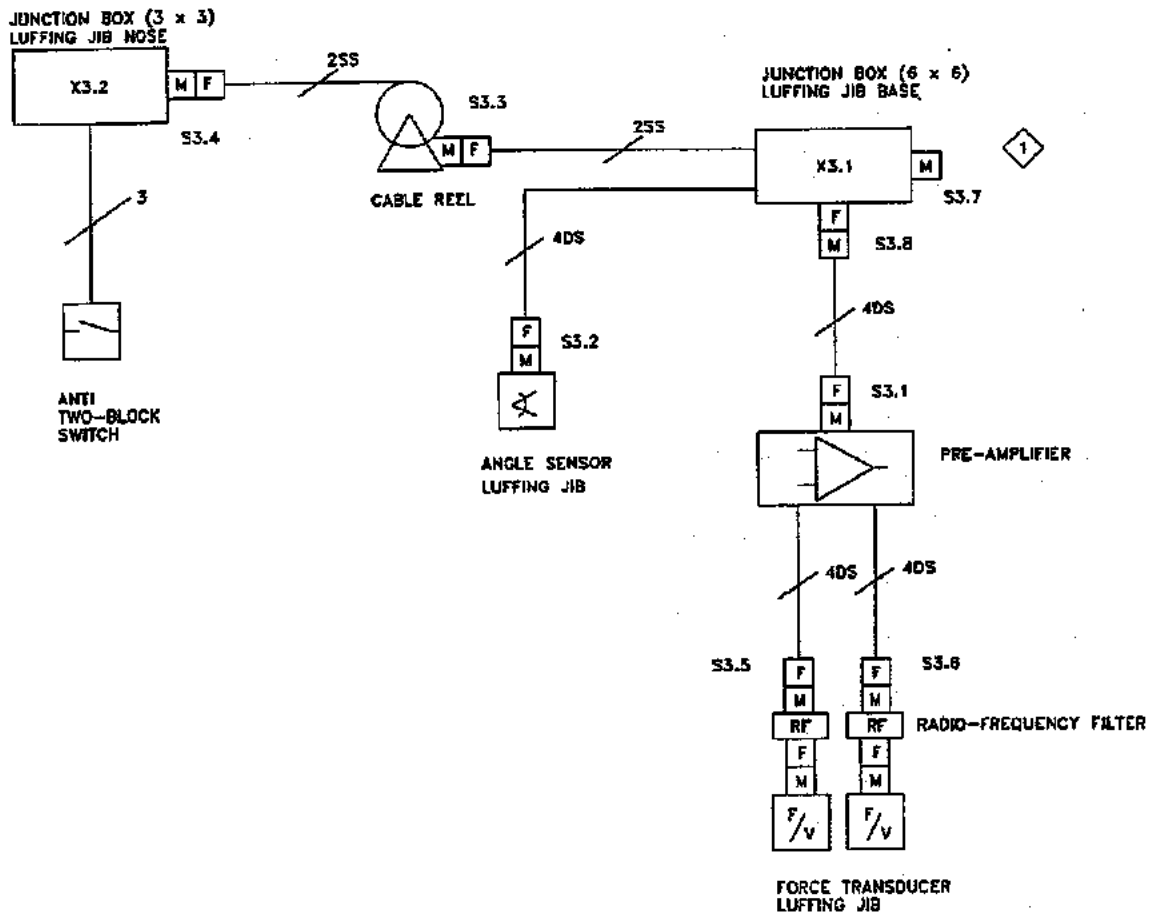
1 SEE PART BREAKDOWN DWG.
FOR PARTS DETAIL

46A LUFFING JIB INSTALLATION

GROVE

| NO. | PART NO. | QTY | DESCRIPTION | NO. | PART NO. | QTY | DESCRIPTION |
|------|--------------|-----|---|-----|----------|-----|-------------|
| 1 + | 9-333-102593 | 1 | CABLE REEL ASSEMBLY | | | | |
| 2 + | 9-333-102607 | 1 | JUNCTION BOX ASSEMBLY (3 X 3) | | | | |
| 3 | 9-333-101581 | 4 | FLATWASHER 8MM | | | | |
| 4 | 9-333-102235 | 1 | CONDUIT 10 FEET (MUST CUT TO LENGTH) | | | | |
| 5 | 7-300-000101 | 2 | CLAMP 1/2" | | | | |
| 6 | 7-866-142140 | 11 | STUD 1/4"-20 X 1/8" | | | | |
| 7 | 7-950-140141 | 11 | WASHER 1/4" HERRON | | | | |
| 8 | 7-950-140050 | 11 | LOCKWASHER 1/4" REG | | | | |
| 9 | 7-860-140000 | 11 | NUT, HEX 1/4"-20 NC - GRD A | | | | |
| 10 | 9-333-102238 | 1 | SWITCH, A2B N/O CRIMP | | | | |
| 11 | 7-110-151205 | 2 | CAPSCREW 5/16" - 18 NC X 1 1/2" | | | | |
| 12 | 9-333-101784 | 1 | SENSOR, ANGLE | | | | |
| 13 | 9-333-102599 | 8 | SCREW, 8MM X 20MM | | | | |
| 14 | 9-333-101960 | 8 | LOCKWASHER 8MM | | | | |
| 15 | 9-333-101581 | 8 | FLATWASHER 8MM | | | | |
| 16 | 9-333-102608 | 3 | CABLE ASS'Y. 4 COND. D. S. | | | | |
| 17 + | 9-333-102609 | 1 | JUNCTION BOX ASSEMBLY (6 X 6) | | | | |
| 18 | 9-333-102610 | 1 | CABLE ASS'Y. 2 COND. S. S. | | | | |
| 19 | 9-333-102611 | 1 | CABLE ASS'Y. 7 COND. D. S. | | | | |
| 20 | 9-333-102219 | 1 | PREAMPLIFIER | | | | |
| 21 | 9-333-102584 | 12 | CLAMP, CABLE 3/8" | | | | |
| 22 | 9-333-101837 | 2 | PLUG, FILTER | | | | |
| 23 | 9-333-102044 | 2 | FORCE TRANSDUCER | | | | |
| 24 | 7-850-000102 | 22 | STRAP 1/4" X 12" | | | | |
| 25 | 9-333-102586 | 4 | SCREW | | | | |

+ SEE FURTHER BREAKDOWN THIS GROUP



NOTES

M = MALE CONNECTOR

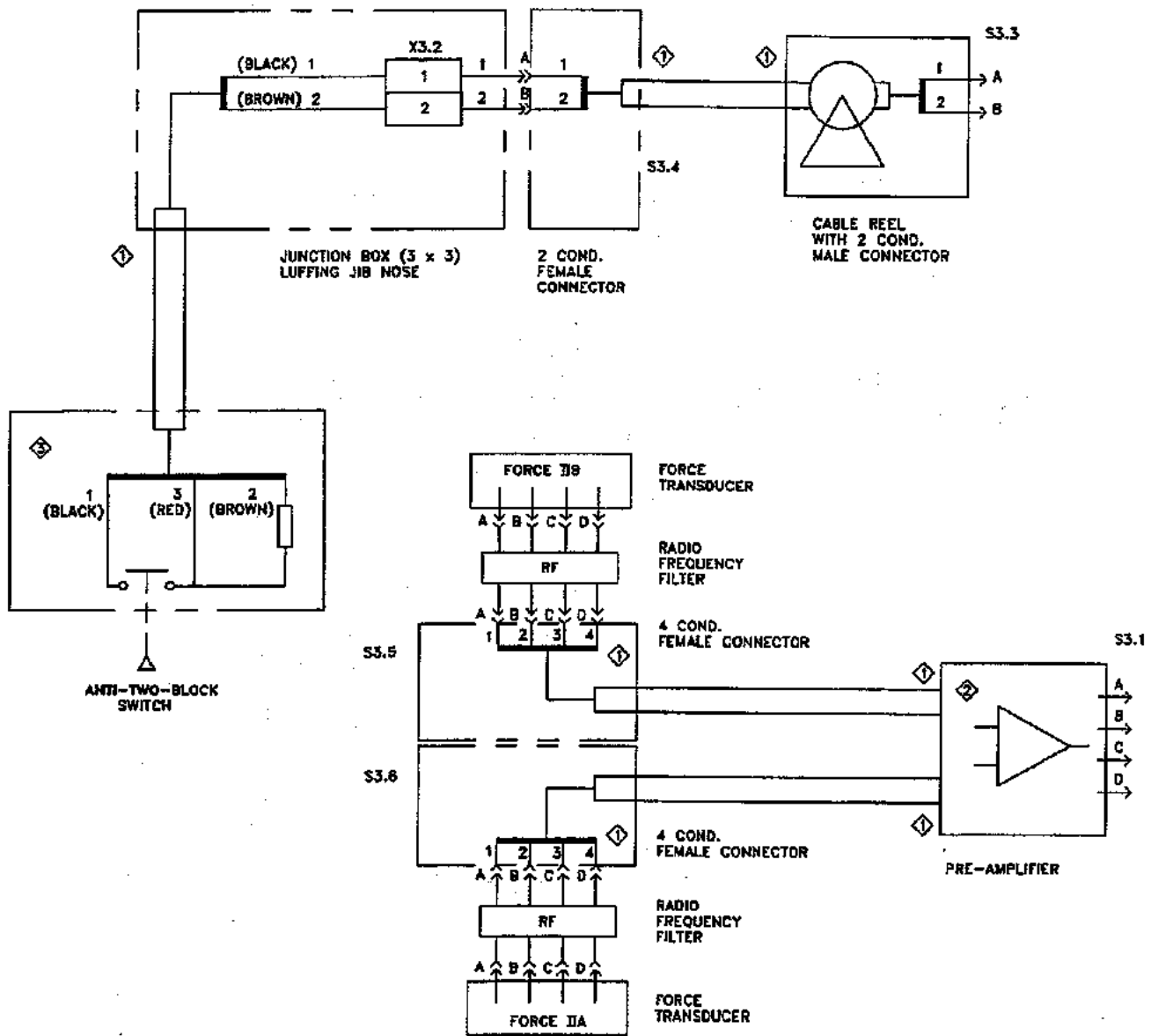
F = FEMALE CONNECTOR

◇ USE JUMPER CABLE TO CONNECT CIRCUIT TO THE MAIN BOOM NOSE JUNCTION BOX.

SS = SINGLE SHIELDED CABLE

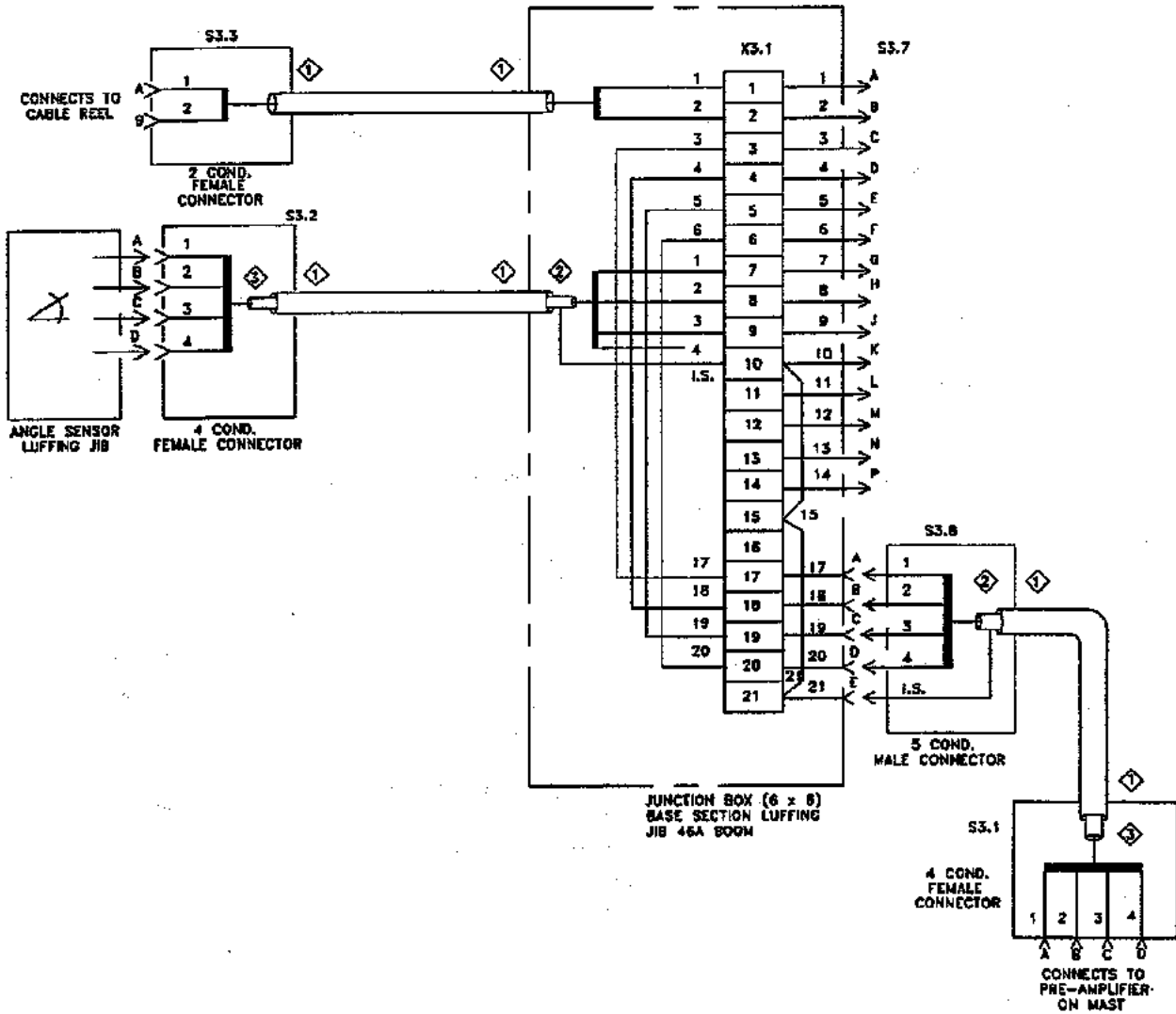
DS = DOUBLE SHIELDED CABLE

CONNECTOR LOCATION



NOTES

- ① OUTER SHIELD CONNECTED TO STRAIN RELIEF INSERT
- ② PREWIRED BY PAT -NON SERVICEABLE ITEM-
- ③ POTTED- NO ACCESS TO SWITCH ELEMENT- PREWIRED



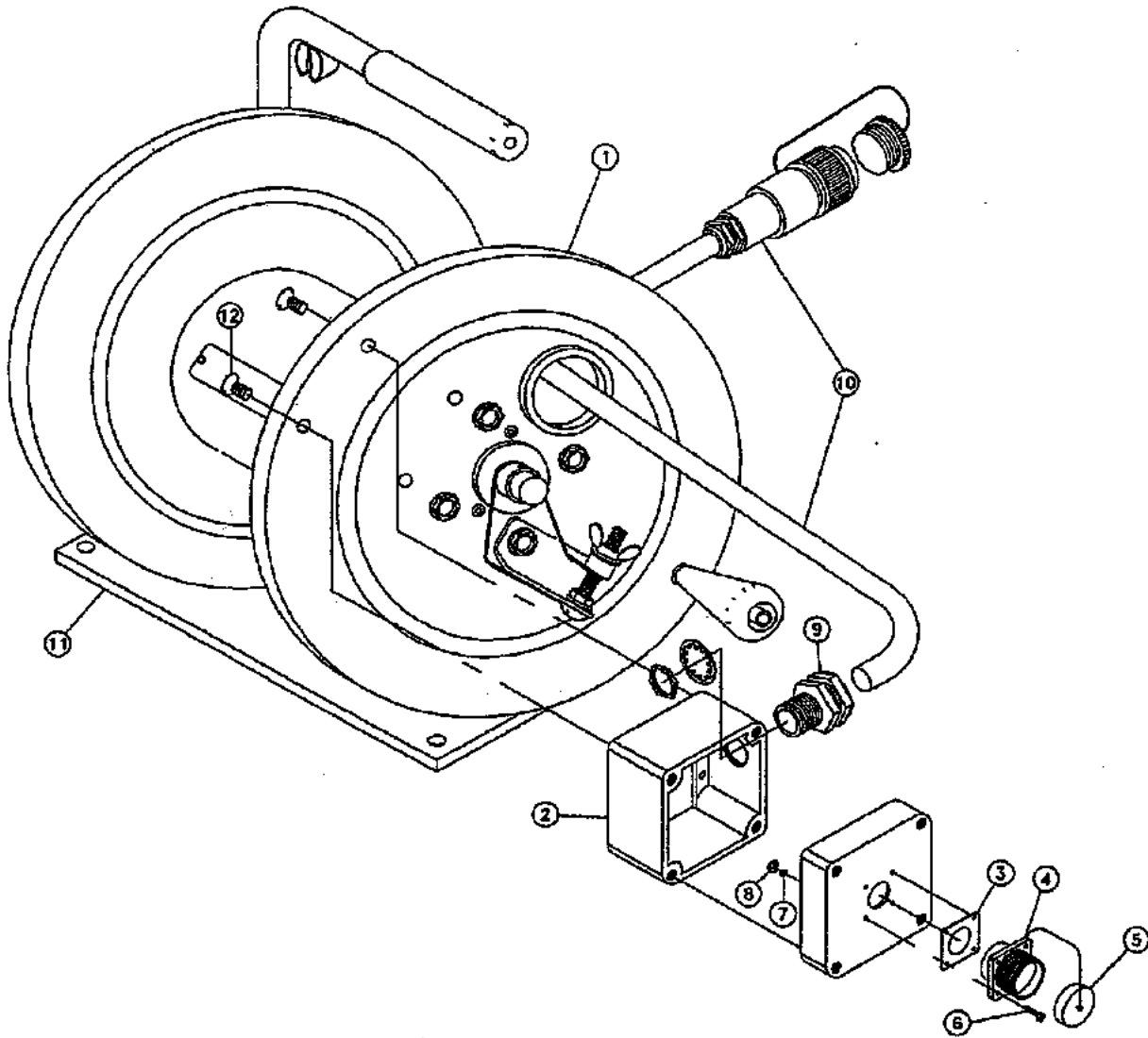
NOTES:

- ① OUTER SHIELD CONNECTED TO STRAIN RELIEF CONNECTOR
- ② INNER SHIELD INSULATED AND CONNECTED AS SHOWN
- ③ INNER SHIELD CUT AND INSULATED

| CODE | COLOR |
|------|--------------|
| BR | BROWN |
| BL | BLACK |
| WY | WHITE/YELLOW |
| WG | WHITE/GRAY |
| WB | WHITE/BLUE |
| WR | WHITE/RED |
| WP | WHITE/PINK |
| WBL | WHITE/BLACK |
| WBR | WHITE/BROWN |
| P | PINK |
| W | WHITE |
| GN | GREEN |
| B | BLUE |
| R | RED |
| WGN | WHITE/GREEN |
| G | GRAY |
| I.S. | INNER SHIELD |

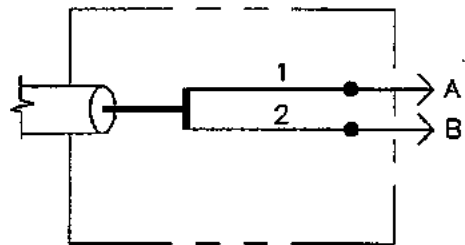
WIRING SCHEMATIC

THIS PAGE INTENTIONALLY LEFT BLANK.



NOTES:

① OUTER SHIELD CONNECTED TO STRAIN RELIEF INSERT.

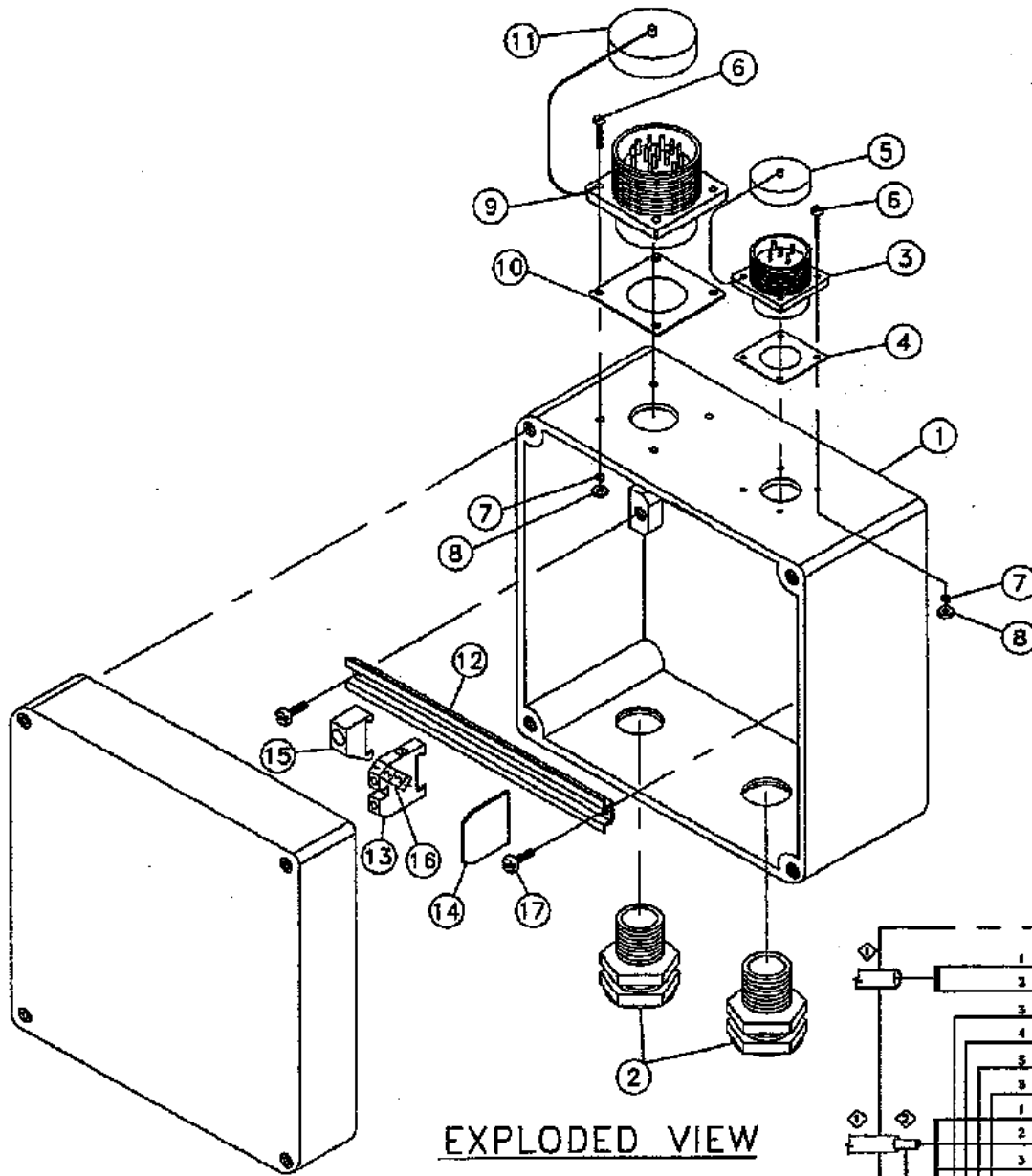


WIRING DETAIL

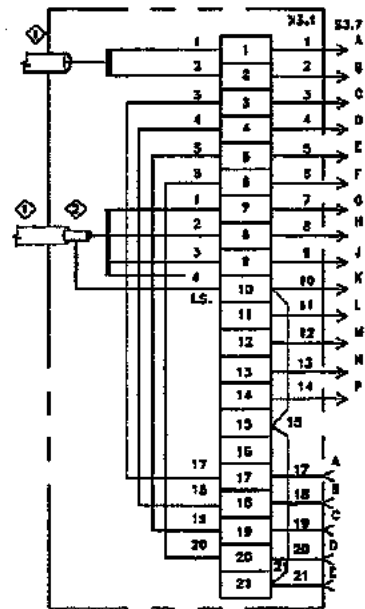
CABLE REEL ASSEMBLY

GROUE

| NO. | PART NO. | QTY DESCRIPTION | NO. | PART NO. | QTY DESCRIPTION |
|-----|--------------|--|-----|----------|-----------------|
| | 9-333-102593 | COMPLETE ASSY | | | |
| 1 | 9-333-102029 | 1 REEL, CABLE | | | |
| 2 | 9-333-102591 | 1 BOX, HANNORD | | | |
| 3 | 9-333-102482 | 1 CASNET | | | |
| 4 | 9-333-102678 | 1 CARBON CONNECTOR | | | |
| 5 | 9-333-102812 | 1 DUST COVER | | | |
| 6 | 9-333-102669 | 4 SCREW #4 | | | |
| 7 | 9-333-102266 | 4 LOCKWASHER #4 | | | |
| 8 | 9-333-102480 | 4 NUT #4 | | | |
| 9 | 9-333-101599 | 1 STRAIN RELIEF GREEN INSERT - PG11 | | | |
| 10 | 9-333-102613 | 1 CABLE ASSEMBLY | | | |
| 11 | 9-333-102679 | 1 BRACKET, MOUNTING | | | |
| 12 | 9-333-102614 | 4 SCREW | | | |



EXPLODED VIEW



WIRING DETAIL

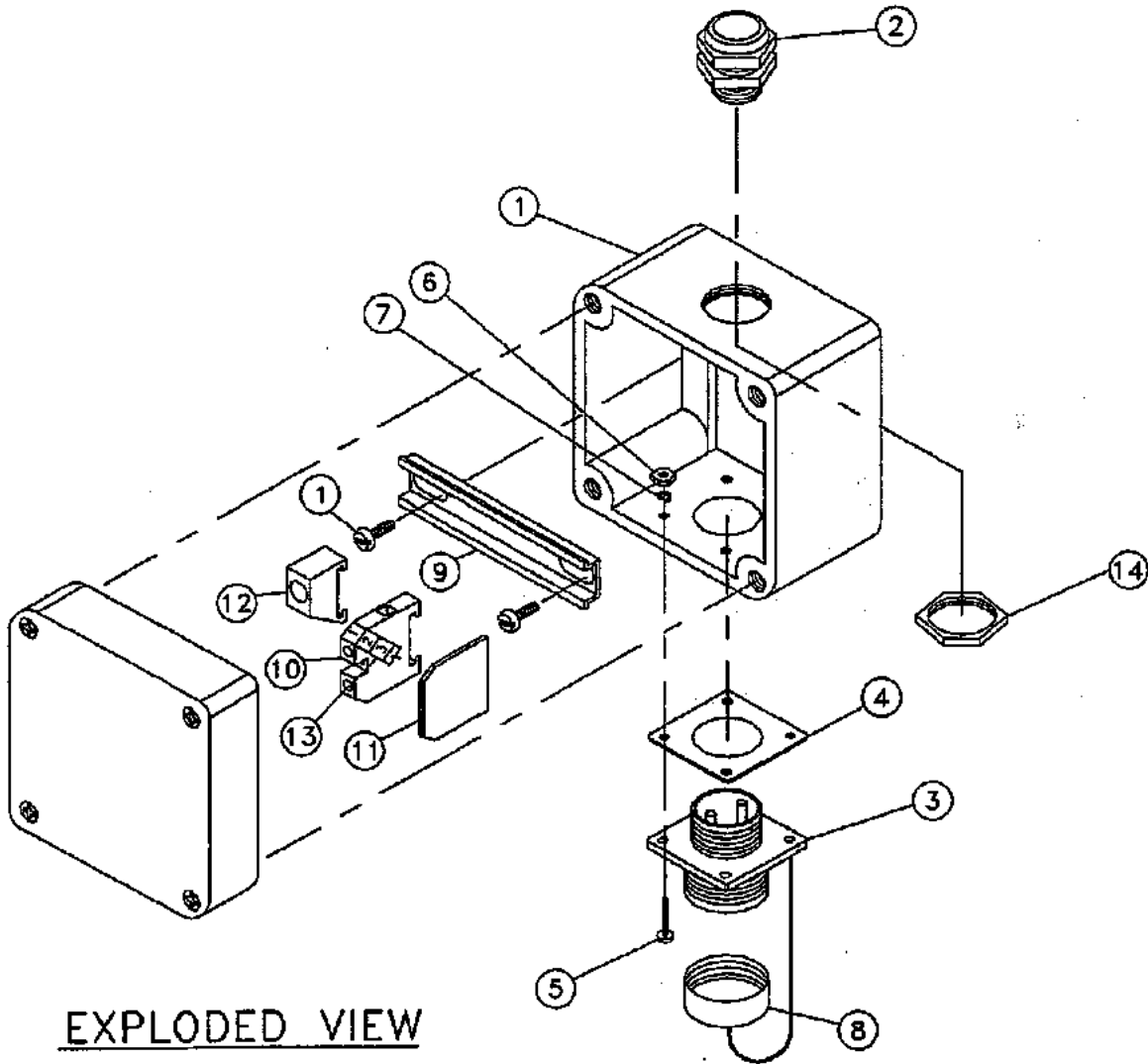
NOTES:

- ① OUTER SHIELD CONNECTED TO STRAIN RELIEF CONNECTOR
- ② INNER SHIELD INSULATED AND CONNECTED AS SHOWN

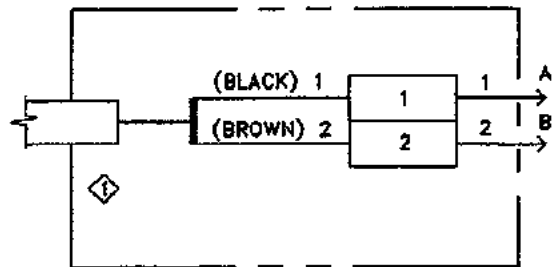
JUNCTION BOX ASSEMBLY (6 X 6)

GROUE

| NO. | PART NO. | QTY DESCRIPTION | NO. | PART NO. | QTY DESCRIPTION |
|-----|--------------|--|-----|----------|-----------------|
| | 9-333-102609 | COMPLETE ASSY | | | |
| 1 | 9-333-102345 | 1 HOUSING | | | |
| 2 | 9-333-101599 | 2 STRAIN RELIEF GREEN INSERT - PG11 | | | |
| 3 | 9-333-102680 | 1 CANNON CONNECTOR | | | |
| 4 | 9-333-102482 | 1 GASKET | | | |
| 5 | 9-333-102612 | 1 DUST COVER | | | |
| 6 | 9-333-102669 | 8 SCREW #4 | | | |
| 7 | 9-333-102266 | 8 LOCKWASHER #4 | | | |
| 8 | 9-333-102480 | 8 NUT #4 | | | |
| 9 | 9-333-102676 | 1 CANNON CONNECTOR | | | |
| 10 | 9-333-102668 | 1 GASKET | | | |
| 11 | 9-333-102268 | 1 CAP, DUST | | | |
| 12 | 9-333-102670 | 1 MOUNTING RAIL, TERMINAL STRIP | | | |
| 13 | 9-333-102663 | 21 BLOCK, TERMINAL STRIP | | | |
| 14 | 9-333-102664 | 1 END PLATE, TERMINAL STRIP | | | |
| 15 | 9-333-102665 | 1 END BRACKET, TERMINAL STRIP | | | |
| 16 | 9-333-102666 | 1 TAGS, TERMINAL STRIP | | | |
| 17 | 9-333-102671 | 2 SCREW, 6MM X 8MM | | | |



EXPLODED VIEW



WIRING DETAIL

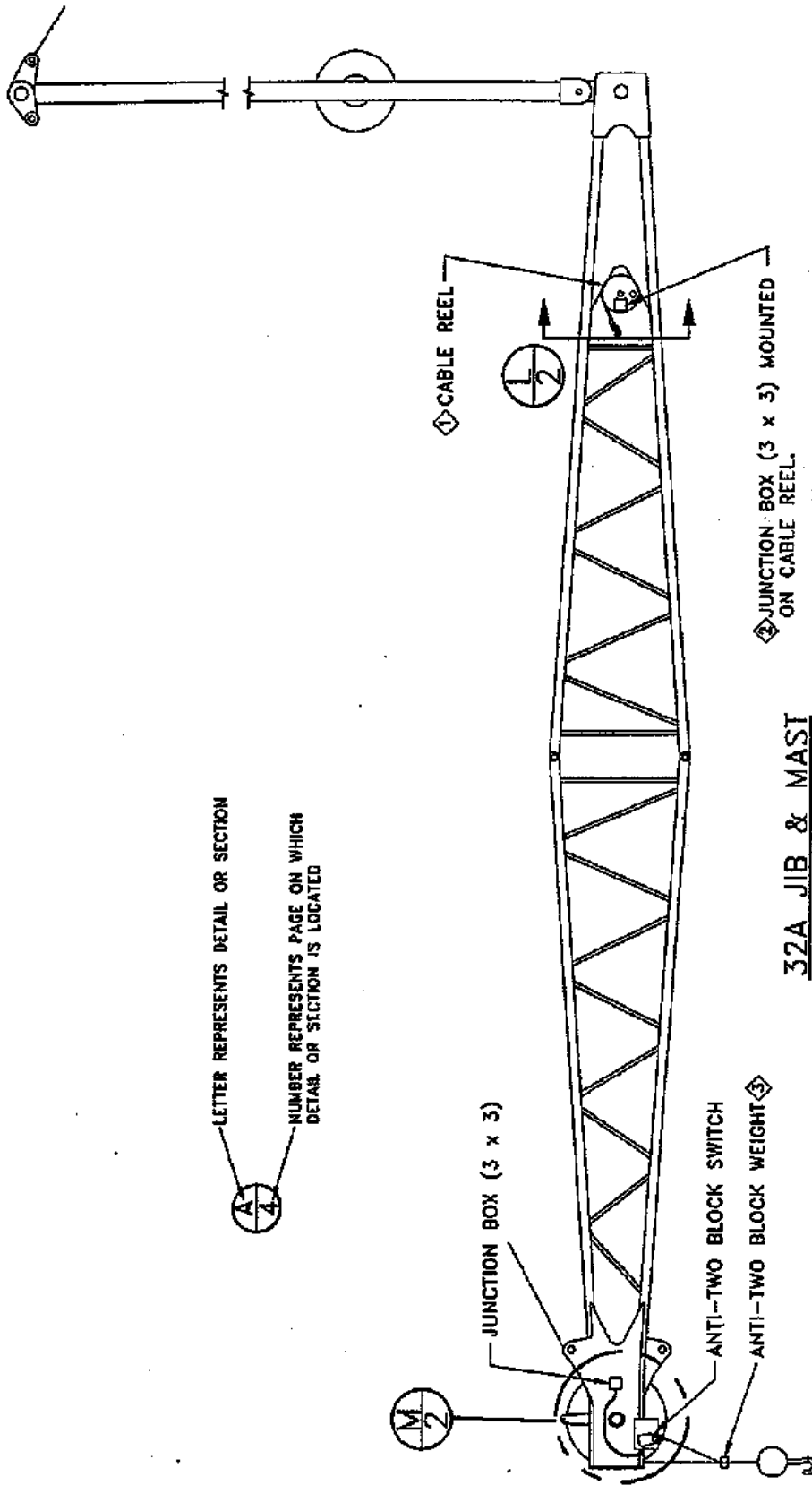
NOTES:

- ① OUTER SHIELD CONNECTED TO STRAIN RELIEF INSERT.

JUNCTION BOX ASSEMBLY (3 X 3)

GROVE

| NO. | PART NO. | QTY | DESCRIPTION | NO. | PART NO. | QTY | DESCRIPTION |
|-----|--------------|-----|----------------------------------|-----|----------|-----|-------------|
| | 9-333-102607 | | COMPLETE ASSY | | | | |
| 1 | 9-333-102591 | 1 | BOX, HAMMOND | | | | |
| 2 | 9-333-102674 | 1 | STRAIN RELIEF, PC9 | | | | |
| 3 | 9-333-102678 | 1 | CANNON CONNECTOR | | | | |
| 4 | 9-333-102482 | 1 | GRSRET | | | | |
| 5 | 9-333-102669 | 4 | SCREW #4 | | | | |
| 6 | 9-333-102266 | 4 | LOCKWASHER #4 | | | | |
| 7 | 9-333-102480 | 4 | NUT #4 | | | | |
| 8 | 9-333-102612 | 1 | DUST COVER | | | | |
| 9 | 9-333-102662 | 1 | MOUNTING RAIL, TERMINAL STRIP | | | | |
| 10 | 9-333-102663 | 2 | BLOCK, TERMINAL STRIP | | | | |
| 11 | 9-333-102664 | 1 | END PLATE, TERMINAL STRIP | | | | |
| 12 | 9-333-102665 | 1 | END BRACKET, TERMINAL STRIP | | | | |
| 13 | 9-333-102666 | 1 | TACS, TERMINAL STRIP | | | | |
| 14 | 9-333-101984 | 1 | LOCKOUT PC9 | | | | |



32A JIB & MAST

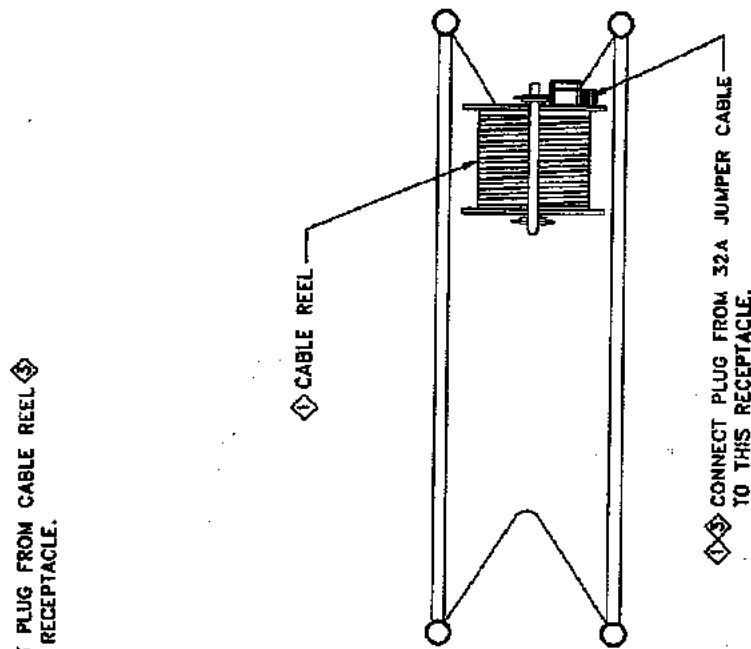
NOTES:

ADD DIELECTRIC LUBRICANT (e.g. NYGEL 7586) TO INSIDE OF RECEPTACLES, PLUGS, AND ELECTRICAL CONNECTORS, TO IMPROVE PROTECTION AGAINST CORROSION AND MALFUNCTION DUE TO CONDENSATION.

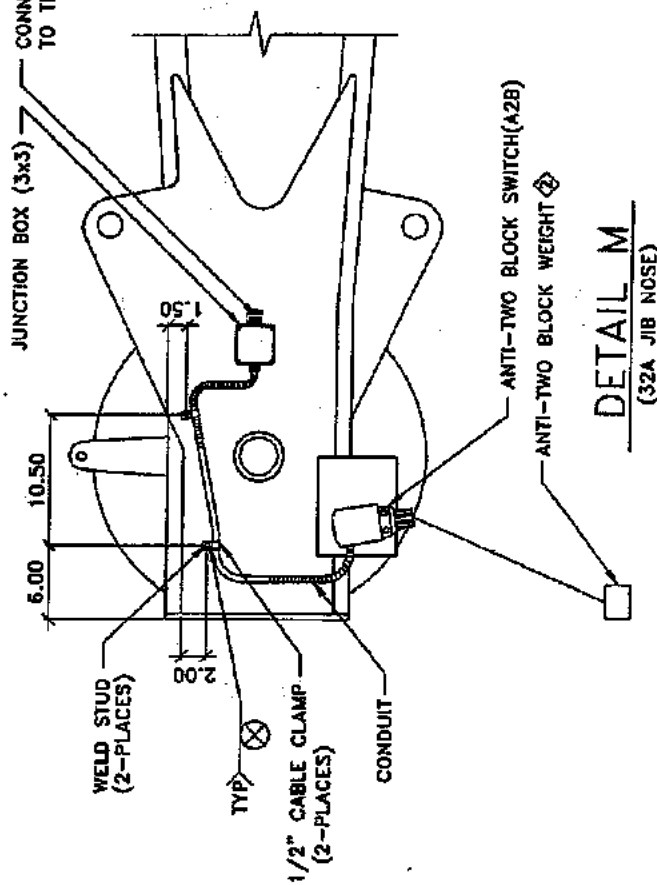
- A. CLEAN ELECTRICAL CONTACTS AND CONNECTORS OF ALL FOREIGN MATERIAL SUCH AS GREASE, OIL, AND DIRT BEFORE APPLYING LUBRICANT.
- B. APPLY A GENEROUS AMOUNT OF LUBRICANT ON THE ELECTRICAL CONTACTS AND CONNECTORS BEFORE MOUNTING.
- C. AFTER MOUNTING CONTACTS AND CONNECTORS, CLEAN OFF THE EXCESS SQUEEZED OUT.

FOR ELECTRICAL CONNECTIONS REFER TO THE WIRING SCHEMATIC IN THIS PARTS AND INSTALLATION MANUAL.

1. TO CONNECT CABLE REEL TO JIB NOSE; UNROLL CABLE FROM CABLE REEL AND SCREW PLUG INTO RECEPTACLE ON (3 x 3) JUNCTION BOX ON JIB NOSE.
2. TO CONNECT 32A JIB TO 76A BOOM NOSE; INSTALL 32A JIB JUMPER CABLE FROM RECEPTACLE ON (3 x 3) JUNCTION BOX ON 32A JIB CABLE REEL TO RECEPTACLE ON (6 x 6) JUNCTION BOX ON 76A BOOM NOSE.
3. REFER TO OPERATOR'S HANDBOOK FOR PROPER USE OF A28 SWITCH WEIGHT.



SECTION L
(32A JIB BASE)

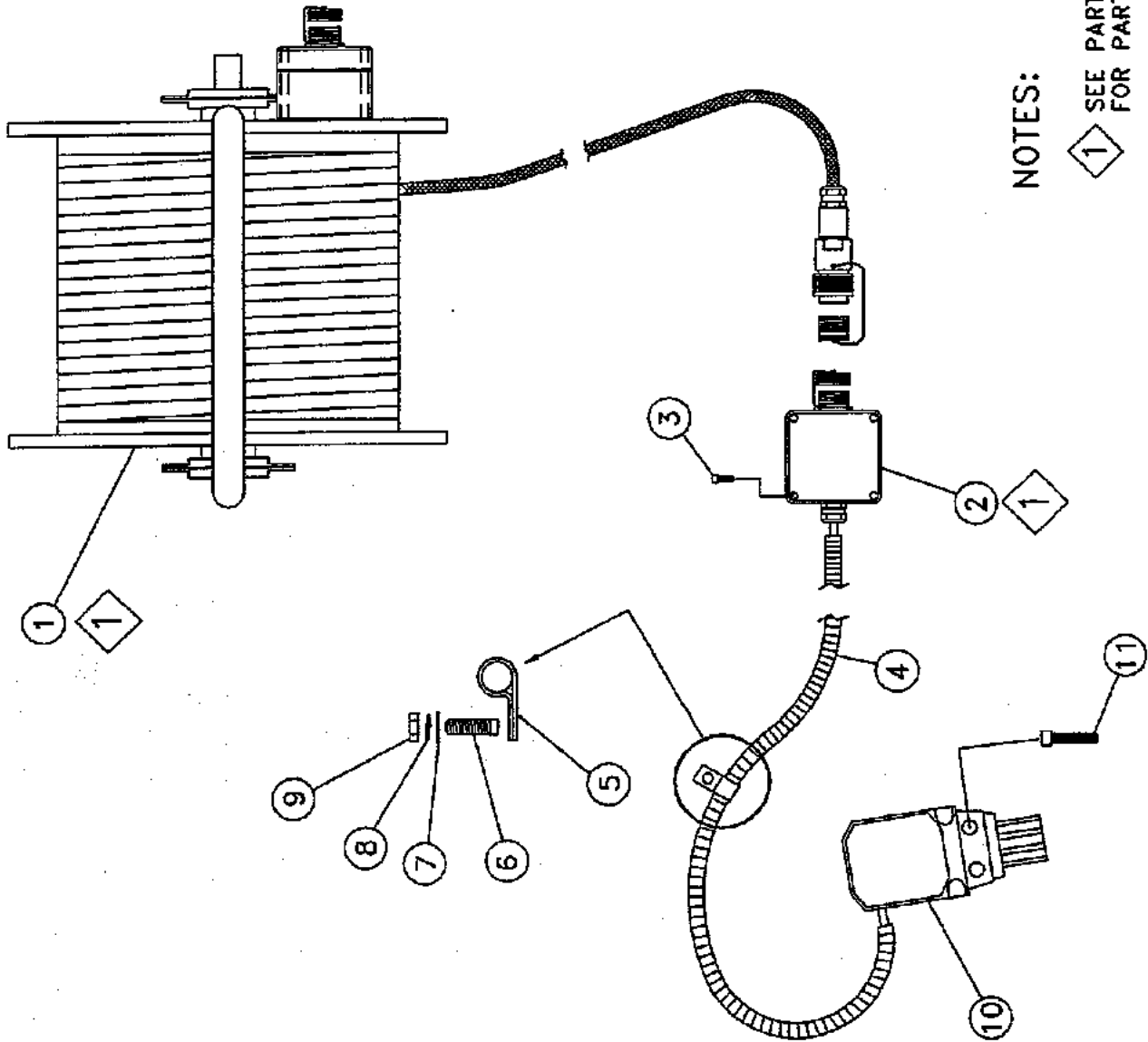


ALL DIMENSIONS IN INCHES TO CENTER LINE OF WELD STUDS.

- FOR ELECTRICAL CONNECTIONS REFER TO THE WIRING SCHEMATIC IN THIS PARTS AND INSTALLATION MANUAL.
- REFER TO 32A BOOM COMPONENT KIT FOR INSTALLATION HARDWARE.
 - TO CONNECT 32A JIB BASE TO 76A BOOM NOSE; INSTALL 32A JUMPER CABLE FROM (3 x 3) JUNCTION BOX ON CABLE REEL TO RECEPTACLE ON (6 x 6) JUNCTION BOX ON 76A BOOM NOSE.
 - REFER TO OPERATOR'S HANDBOOK FOR PROPER USE OF A2B SWITCH WEIGHT.
 - INSTALL DUST COVERS WHEN PLUG AND RECEPTACLE ARE DISCONNECTED.

NOTES:

- A. ADD DIELECTRIC LUBRICANT (e.g. NYOGEL 7580) TO INSIDE OF RECEPTABLES, PLUGS, AND ELECTRICAL CONNECTORS, TO IMPROVE PROTECTION AGAINST CORROSION AND MALFUNCTION DUE TO CONDENSATION.
- B. CLEAN ELECTRICAL CONTACTS AND CONNECTORS OF ALL FOREIGN MATERIAL SUCH AS GREASE, OIL, AND DIRT BEFORE APPLYING LUBRICANT.
- C. APPLY A GENEROUS AMOUNT OF LUBRICANT ON THE ELECTRICAL CONTACTS AND CONNECTORS BEFORE MOUNTING.
- D. AFTER MATING CONTACTS AND CONNECTORS, CLEAN OFF THE EXCESS SQUEEZED OUT.



NOTES:

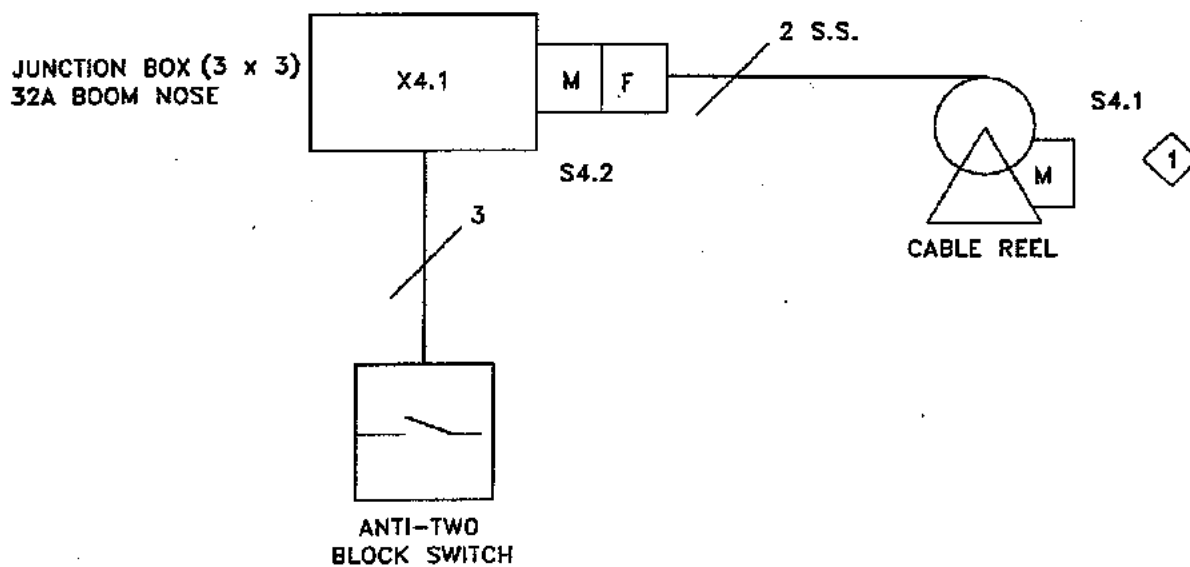
1 SEE PART BREAKDOWN DWG.
FOR PARTS DETAIL

32A JIB INSTALLATION

GROVE

| NO. | PART NO. | QTY | DESCRIPTION | NO. | PART NO. | QTY | DESCRIPTION |
|-----|--------------|-----|---|-----|----------|-----|-------------|
| 1 + | 9-333-102703 | 1 | CABLE REEL ASSEMBLY | | | | |
| 2 + | 9-333-102607 | 1 | JUNCTION BOX ASSEMBLY (3 X 3) | | | | |
| 3 | 9-333-102581 | 4 | SCREW | | | | |
| 4 | 9-333-102235 | 1 | CONDUIT 10 FEET (MUST CUT TO LENGTH) | | | | |
| 5 | 7-300-000101 | 2 | CLAMP 1/2" | | | | |
| 6 | 7-866-142140 | 2 | STUD 1/4"-20 X 7/8" | | | | |
| 7 | 7-950-140141 | 2 | WASHER 1/4" HERRON | | | | |
| 8 | 7-950-140050 | 2 | LOCKWASHER 1/4" REG | | | | |
| 9 | 7-660-140000 | 2 | NUT, HEX 1/4"-20 NC - GRD # | | | | |
| 10 | 9-333-102238 | 1 | SWITCH, #28 N/O CRIMP | | | | |
| 11 | 7-110-151205 | 2 | CAPSCREW 5/16" - 18 NC X 1 1/2" | | | | |

+ SEE FURTHER BREAKDOWN THIS GROUP



NOTES



= FEMALE CONNECTOR



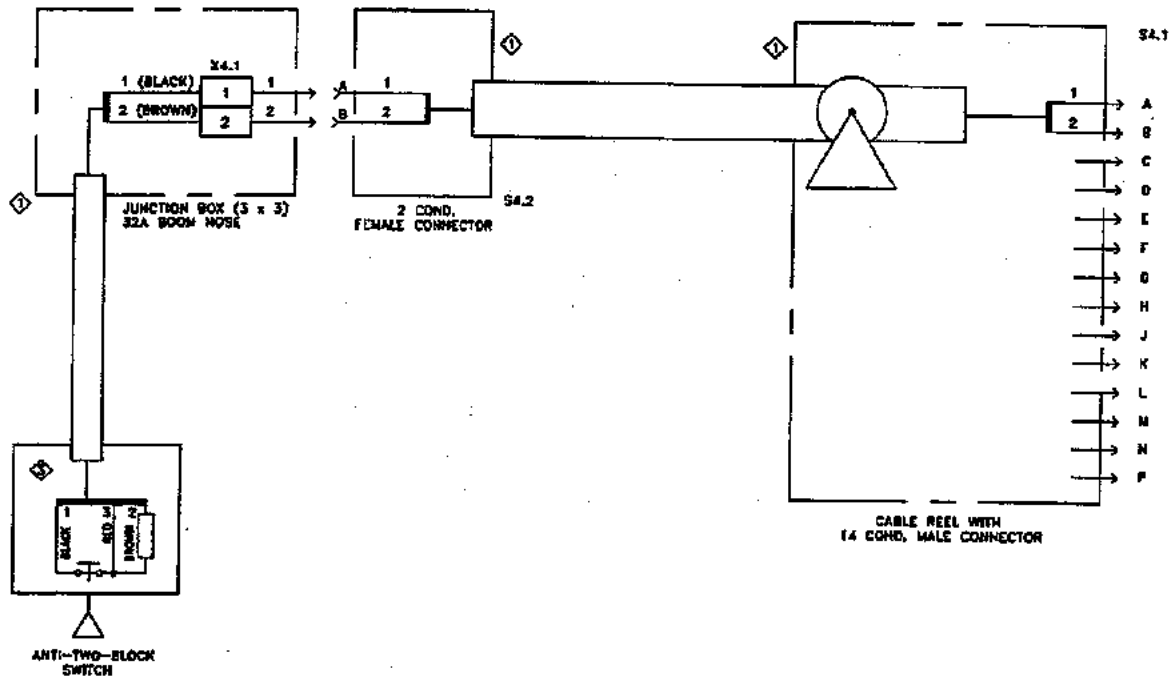
= MALE CONNECTOR



USE JUMPER CABLE TO CONNECT
CONNECT CIRCUIT TO THE MAIN
BOOM NOSE JUNCTION BOX

SS = SINGLE SHIELDED CABLE
DS = DOUBLE SHIELDED CABLE
TS = TRIPLE SHIELDED CABLE

CONNECTOR LOCATION

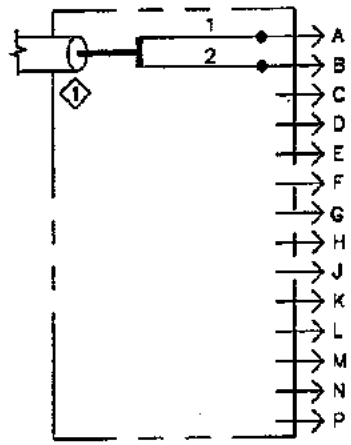
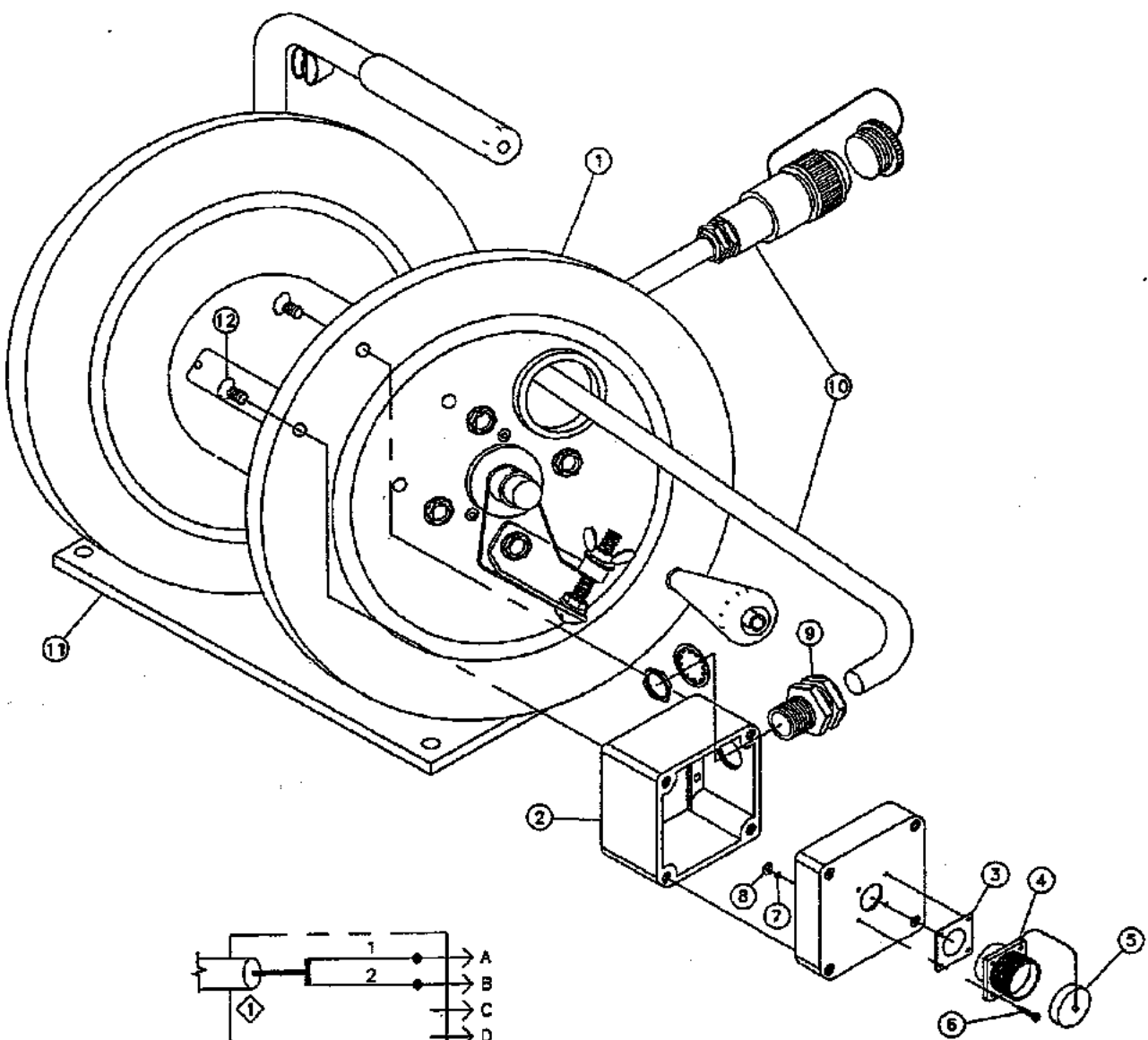


NOTES:

- ① OUTER SHIELD CONNECTED TO STRAIN RELIEF INSERT
- ② POTTED - NO ACCESS TO SWITCH ELEMENT - PREWIRED

| CODE | COLOR |
|------|--------------|
| BR | BROWN |
| BL | BLACK |
| WY | WHITE/YELLOW |
| WG | WHITE/GRAY |
| WB | WHITE/BLUE |
| WR | WHITE/RED |
| WP | WHITE/PINK |
| WBL | WHITE/BLACK |
| WBR | WHITE/BROWN |
| P | PINK |
| W | WHITE |
| GN | GREEN |
| B | BLUE |
| R | RED |
| WGN | WHITE/GREEN |
| G | GRAY |
| I.S. | INNER SHIELD |

WIRING SCHEMATIC



WIRING DETAIL

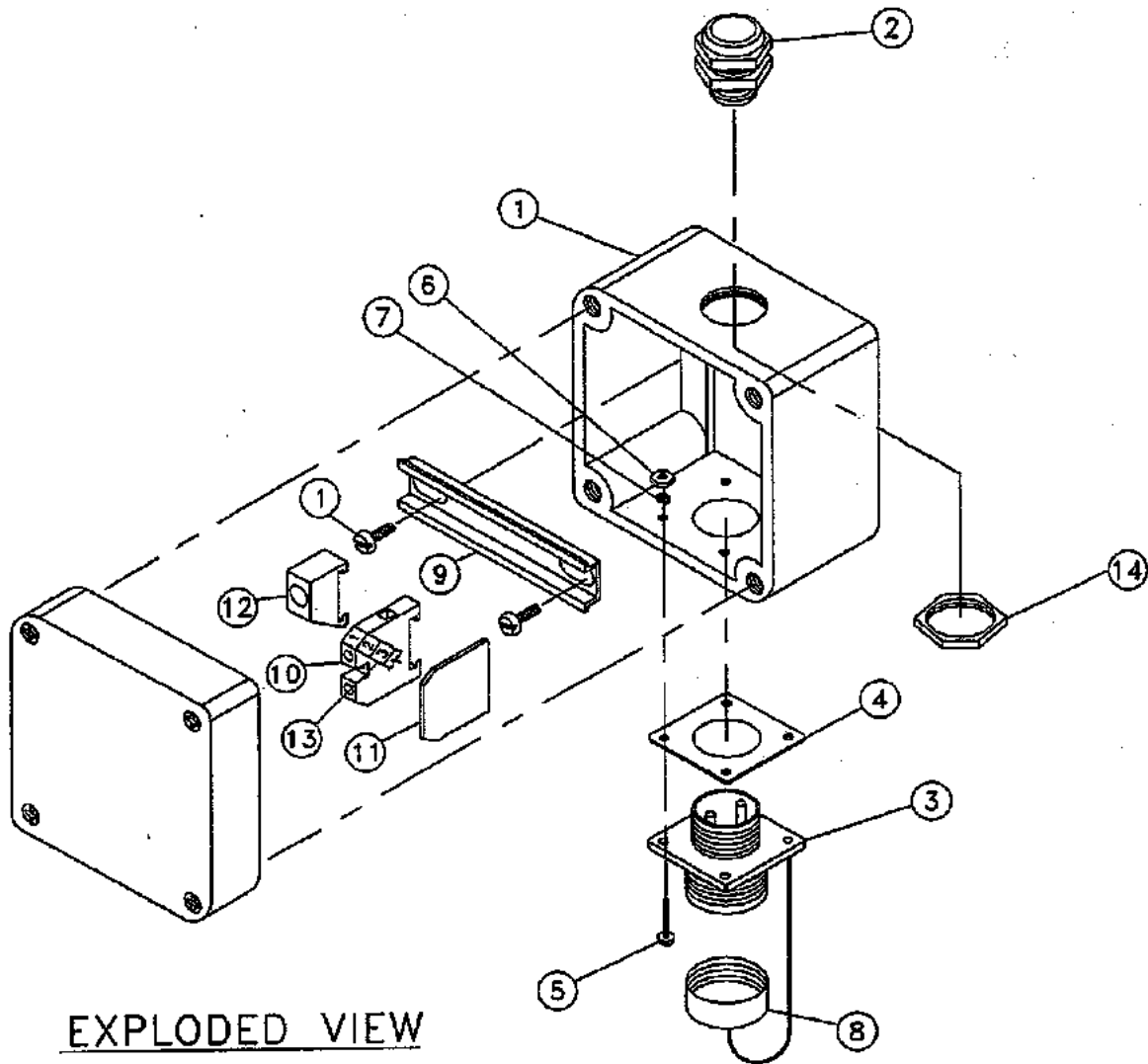
NOTES:

① OUTER SHIELD CONNECTED TO STRAIN RELIEF INSERT.

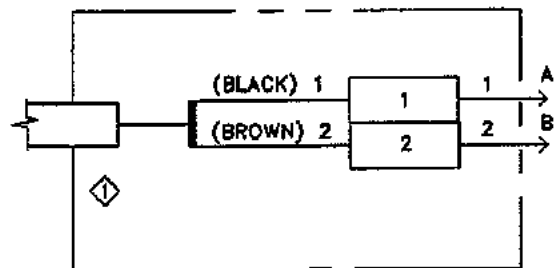
CABLE REEL ASSEMBLY

GROVE

| NO. | PART NO. | QTY DESCRIPTION | NO. | PART NO. | QTY DESCRIPTION |
|-----|--------------|--|-----|----------|-----------------|
| | 9-333-102703 | COMPLETE ASSY | | | |
| 1 | 9-333-102029 | 1 REEL, CABLE | | | |
| 2 | 9-333-102591 | 1 BOX, HANNON | | | |
| 3 | 9-333-102482 | 1 GASKET | | | |
| 4 | 9-333-102678 | 1 CANNON CONNECTOR | | | |
| 5 | 9-333-102612 | 1 DUST COVER | | | |
| 6 | 9-333-102669 | 4 SCREW #4 | | | |
| 7 | 9-333-102266 | 4 LOCKWASHER #4 | | | |
| 8 | 9-333-102480 | 4 NUT #4 | | | |
| 9 | 9-333-101599 | 1 STRAIN RELIEF GREEN INSERT - PG11 | | | |
| 10 | 9-333-102613 | 1 CABLE ASSEMBLY | | | |
| 11 | 9-333-102679 | 1 BRACKET, MOUNTING | | | |
| 12 | 9-333-102614 | 4 SCREW | | | |



EXPLODED VIEW



WIRING DETAIL

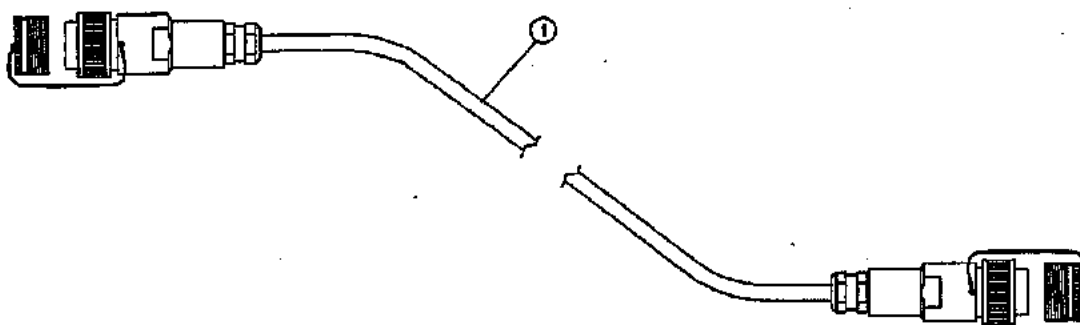
NOTES:

◇ OUTER SHIELD CONNECTED TO STRAIN RELIEF INSERT.

JUNCTION BOX ASSEMBLY (3 X 3)

GROVE

| NO. | PART NO. | QTY DESCRIPTION | NO. | PART NO. | QTY DESCRIPTION |
|-----|--------------|------------------------------------|-----|----------|-----------------|
| | 9-333-102607 | COMPLETE ASSY | | | |
| 1 | 9-333-102591 | 1 BOX, HAMMOND | | | |
| 2 | 9-333-102674 | 1 STRAIN RELIEF, PG9 | | | |
| 3 | 9-333-102678 | 1 CANNON CONNECTOR | | | |
| 4 | 9-333-102482 | 1 GASKET | | | |
| 5 | 9-333-102669 | 4 SCREW #4 | | | |
| 6 | 9-333-102266 | 4 LOCKWASHER #4 | | | |
| 7 | 9-333-102480 | 4 NUT #4 | | | |
| 8 | 9-333-102612 | 1 BUSH COVER | | | |
| 9 | 9-333-102662 | 1 MOUNTING RAIL, TERMINAL STRIP | | | |
| 10 | 9-333-102663 | 2 BLOCK, TERMINAL STRIP | | | |
| 11 | 9-333-102664 | 1 END PLATE, TERMINAL STRIP | | | |
| 12 | 9-333-102665 | 1 END BRACKET, TERMINAL STRIP | | | |
| 13 | 9-333-102666 | 1 TAGS, TERMINAL STRIP | | | |
| 14 | 9-333-101984 | 1 LOCKOUT PG9 | | | |



NOTES:

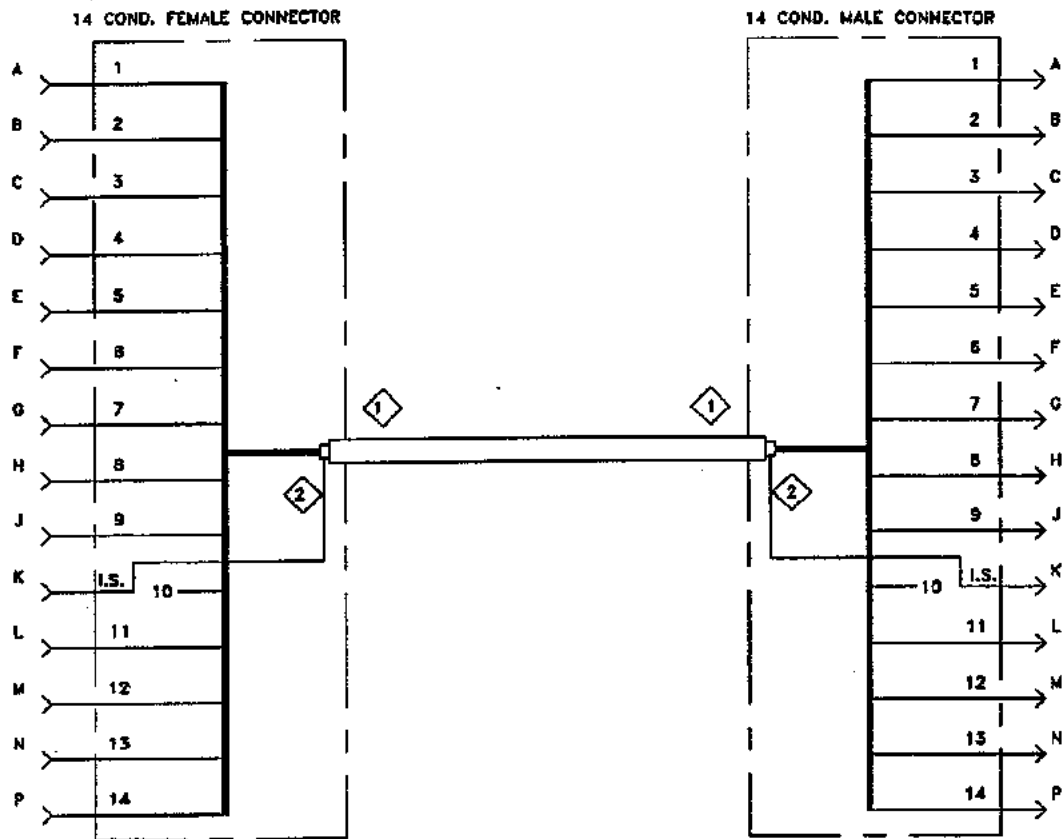
ADD DIELECTRIC LUBRICANT (e.g. NYOGEL 759G) TO INSIDE OF RECEPTACLES, PLUGS, AND ELECTRICAL CONNECTORS, TO IMPROVE PROTECTION AGAINST CORROSION AND MALFUNCTION DUE TO CONDENSATION.

- A. CLEAN ELECTRICAL CONTACTS AND CONNECTORS OF ALL FOREIGN MATERIAL SUCH AS GREASE, OIL, AND DIRT BEFORE APPLYING LUBRICANT.
- B. APPLY A GENEROUS AMOUNT OF LUBRICANT ON THE ELECTRICAL CONTACTS AND CONNECTORS BEFORE MOUNTING.
- C. AFTER MATING CONTACTS AND CONNECTORS, CLEAN OFF THE EXCESS SQUEEZED OUT.

CABLE ASSEMBLY - JUMPER 14 COND. MALE & FEMALE

GROVE

| NO. | PART NO. | QTY | DESCRIPTION | NO. | PART NO. | QTY | DESCRIPTION |
|-----|--------------|-----|---|-----|----------|-----|-------------|
| | 9-333-102616 | | COMPLETE ASSY | | | | |
| 1 | 9-333-102616 | 1 | CABLE ASSEMBLY - JUMPER 14 COND. MALE + FEMALE | | | | |



NOTES



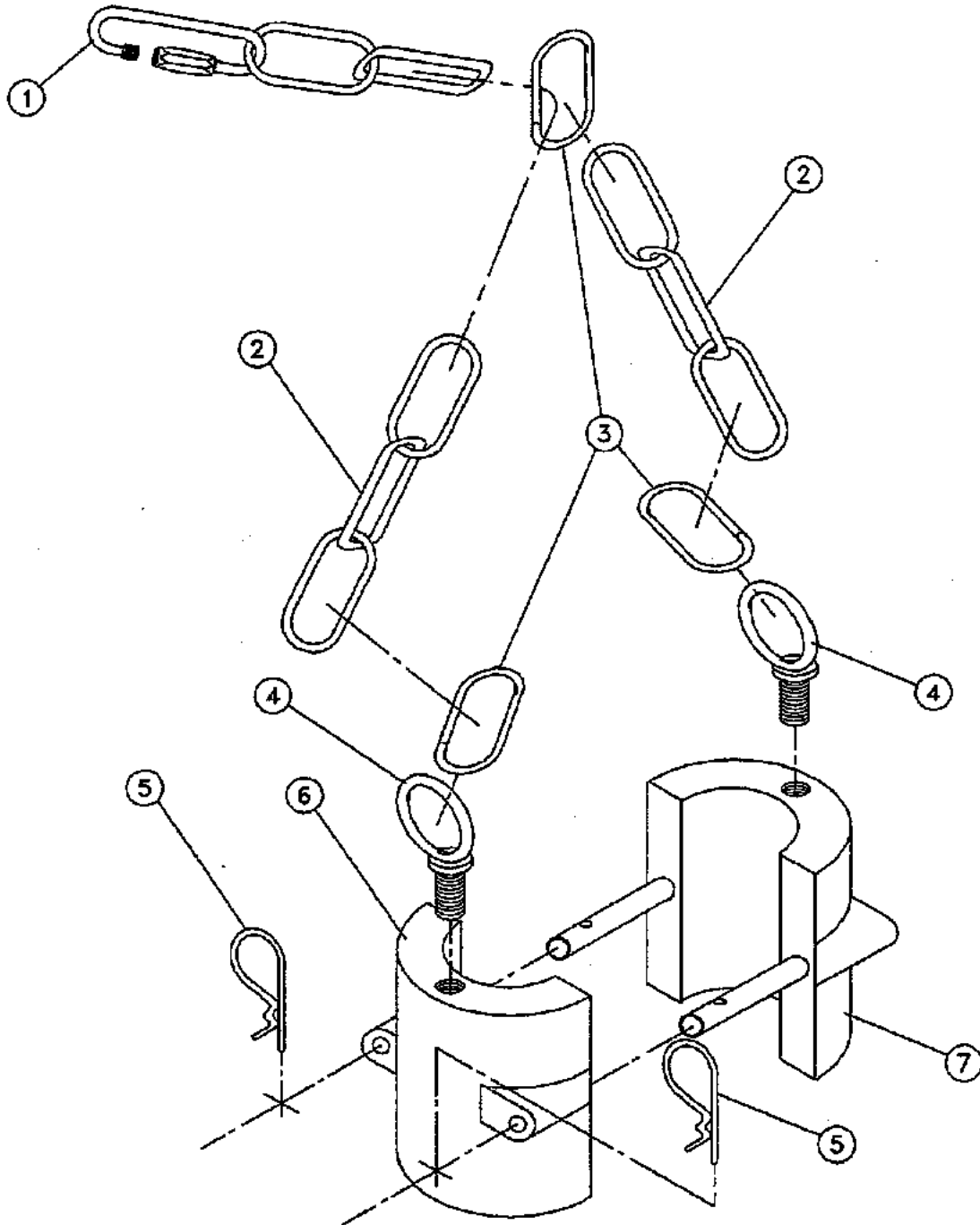
OUTER SHIELD CONNECTED TO STRAIN RELIEF.



INNER SHIELD INSULATED AND CONNECTED AS SHOWN.

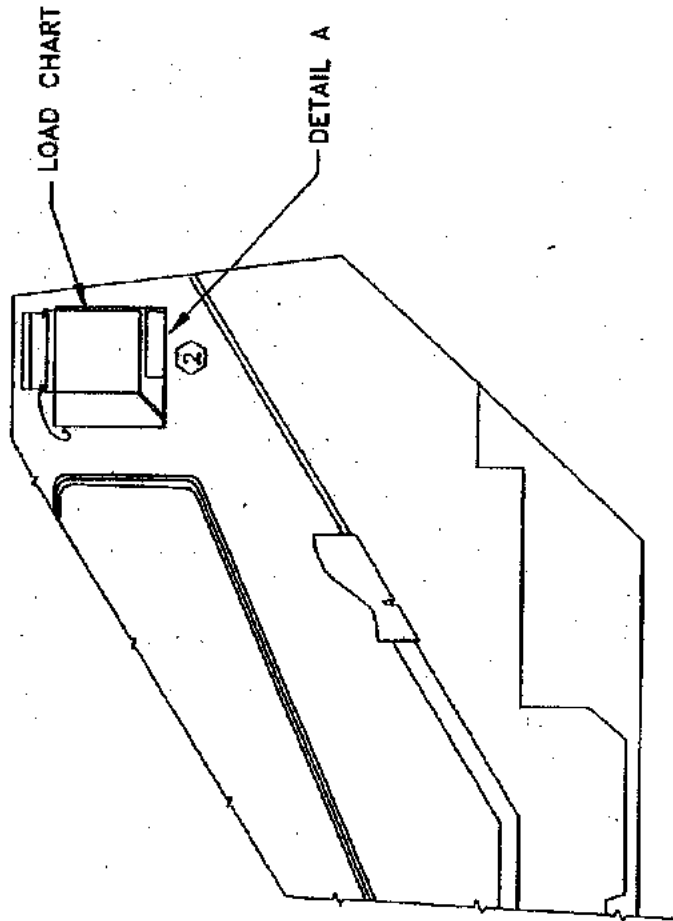
WIRING SCHEMATIC

THIS PAGE INTENTIONALLY LEFT BLANK.

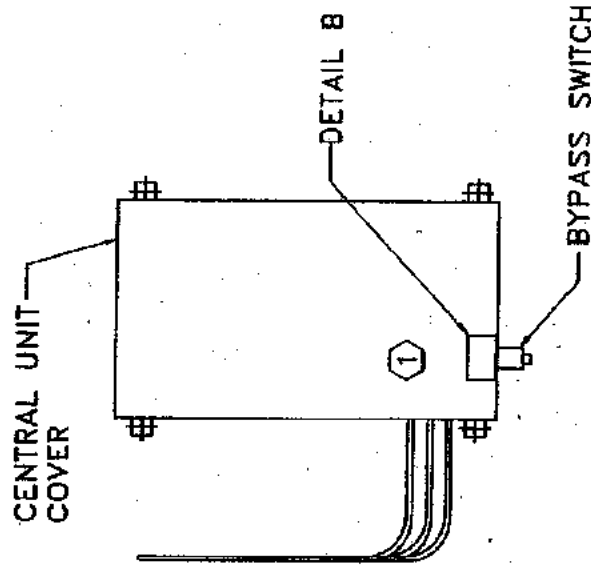


| NO. | PART NO. | QTY DESCRIPTION | NO. | PART NO. | QTY DESCRIPTION |
|-----|---------------|------------------|-----|----------|-----------------|
| | 3-486-0-00212 | COMPLETE ASSY | | | |
| 1 | 9-333-101840 | 1 CLEVIS | | | |
| 2 | 9-333-101921 | 1 CHAIN ASSY | | | |
| 3 | 9-333-101922 | 3 CLAMP, CHAIN | | | |
| 4 | 9-333-101923 | 2 EYEBOLT | | | |
| 5 | 9-333-101916 | 2 PIN, COTTER | | | |
| 6 | 9-333-101924 | 1 WEIGHT, FEMALE | | | |
| 7 | 9-333-101925 | 1 WEIGHT, MALE | | | |

THIS PAGE INTENTIONALLY LEFT BLANK.



PARTIAL VIEW R.H. SIDE CAB-INSIDE



LMI-CENTRAL UNIT

NOTES:

- ① TO BE INSTALLED CLOSEST TO BYPASS SWITCH.
- ② TO BE INSTALLED ON THE BOTTOM RIGHT HAND CORNER OF THE LOAD CHART HOLDER.

DECAL INSTALLATION LOCATION

DETAIL B

1

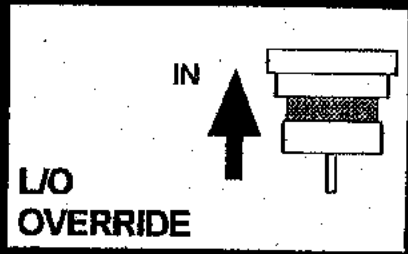
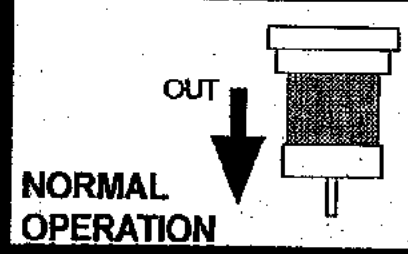


WARNING

LMI LOCKOUT/OVERRIDE

This switch overrides the LMI lockout feature and must be used with utmost caution.

REFERENCE: PAT Operator's Manual
024-000-120-017



THIS MACHINE IS EQUIPPED WITH A DS 350 SERIES LOAD MOMENT INDICATING SYSTEM MANUFACTURED BY PIETZSCH AUTOMATISIERUNGSTECHNIK GMBH, GERMANY. THE LOAD MOMENT SYSTEM COMPLIES WITH SAE J159, APR 85. STUDY PAT OPERATOR'S MANUAL CAREFULLY BEFORE OPERATING THIS CRANE.

024-000-120-017

2

DETAIL A

DECAL - LMI (ENGLISH)

GROVE

| NO. | PART NO. | QTY | DESCRIPTION | NO. | PART NO. | QTY | DESCRIPTION |
|-----|--------------|-----|------------------------------------|-----|----------|-----|-------------|
| 1 | 9-333-102121 | 1 | DECAL - BYPASS SWITCH ENGLISH | | | | |
| 2 | 9-333-102120 | 1 | DECAL - SAE INFO DS3506 ENGLISH | | | | |

DETAIL B

1

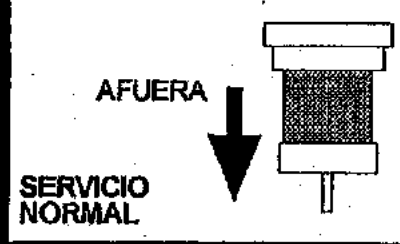


ADVERTENCIA

PUENTEADO DE BLOQUEO IMC

Este interruptor puentea la función de bloqueo del IMC y deberá utilizarse sólo con la máxima prudencia.

Referencia: Manual de Servicio PAT



Esta grúa está equipada con un sistema indicador del momento de carga de la serie DS 350 fabricada por la casa PIETZSCH Automatisierungstechnik GmbH, RFA. El sistema indicador del momento de carga cumple con las exigencias de SAE J159 de abril de 1985. Se le ruega leer cuidadosamente el manual de servicio PAT antes de manejar la grúa.

2

DETAIL A

DECAL - LMI (SPANISH)

GROUE

| NO. | PART NO. | QTY | DESCRIPTION | NO. | PART NO. | QTY | DESCRIPTION |
|-----|--------------|-----|------------------------------------|-----|----------|-----|-------------|
| 1 | 9-333-102276 | 1 | DECAL - BYPASS SWITCH SPANISH | | | | |
| 2 | 9-333-102487 | 1 | DECAL - SRE INFO 03350G SPANISH | | | | |

DETAIL B

1



AVERTISSEMENT

SHUNTAGE DE COUPURE CEC

Cet interrupteur shunte la fonction de coupure du CEC et ne doit être utilisé qu'avec une extrême prudence.

Référence: Mode d'Emploi PAT

024-000-120-024

EN SAILLIE



SERVICE NORMAL

ENFONCÉ



SHUNTAGE DE COUPURE

Votre grue est équipée d'un système contrôleur d'état de charge de la série DS 350 fabriquée par l'Ets. PIETZSCH Automatisierungstechnik GmbH, RFA. Le système contrôleur d'état de charge répond aux exigences de SAE J159, avril 1985. Veuillez lire soigneusement le mode d'emploi PAT avant d'exploiter votre grue.

2

DETAIL A


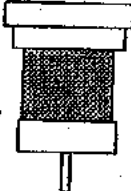
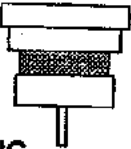
DECAL - LMI (FRENCH)

GROUE

| NO. | PART NO. | QTY | DESCRIPTION | NO. | PART NO. | QTY | DESCRIPTION |
|-----|--------------|-----|-----------------------------------|-----|----------|-----|-------------|
| 1 | 9-333-102277 | 1 | DECAL - BY PASS SWITCH FRENCH | | | | |
| 2 | 9-333-102188 | 1 | DECAL - SAE INFO DS350G FRENCH | | | | |

DETAIL B

1

| | |
|---|--|
|  WARNUNG | <p>NICHT GEDRÜCKT</p>  <p>NORMAL- BETRIEB</p> |
| <p>ÜBERBRÜCKUNG DER LMB-ABSCHALTUNG</p> <p>Dieser Schalter überbrückt die Abschaltfunktion der LMB und darf nur mit äußerster Vorsicht benutzt werden.</p> <p>Siehe PAT-Bedienungshandbuch</p> | <p>GEDRÜCKT</p>  <p>LMB-ABSCHALTUNG GEBRÜCKT</p> |

Dieser Kran ist mit einem Lastmomentbegrenzungssystem der Serie DS 350 der Fa. PIETZSCH Automatisierungstechnik GmbH, BRD, ausgerüstet. Das Lastmomentbegrenzungssystem entspricht SAEJ159 vom April 1985. Bitte lesen Sie das Bedienungshandbuch der Fa. PAT sorgfältig durch, bevor Sie den Kran in Betrieb setzen.

024-000-120.026

2

DETAIL A

| NO. | PART NO. | QTY | DESCRIPTION | NO. | PART NO. | QTY | DESCRIPTION |
|-----|--------------|-----|-----------------------------------|-----|----------|-----|-------------|
| 1 | 9-333-102278 | 1 | DECAL - BY PASS SWITCH GERMAN | | | | |
| 2 | 9-333-102489 | 1 | DECAL - SAE INFO DS350G GERMAN | | | | |



